

Form 20244  
(149)

Printed in U. S. A.

HISTORICAL COPY

DO NOT REMOVE

LIST  
OF  
PARTS



MACHINE No. 147-132

---

\*\* A TRADE-MARK OF

THE SINGER MANUFACTURING COMPANY

From the library of: Diamond Needle Corp

# INSTRUCTIONS FOR OILING

To ensure easy running and prevent unnecessary wear of the parts which are in movable contact, the machine requires oiling and when in continuous use, "TYPE B" or "TYPE D" OIL, sold only by Singer Sewing Machine Company, should be applied at least twice each day to all oil holes marked "OIL", as instructed in Form 18742.

Copyright, U. S. A., 1940, 1941, 1948 and 1949  
by The Singer Manufacturing Co.  
All Rights Reserved for all Countries

# INDEX

	PAGE
ACCESSORIES - - - - -	18
BELT GUARD - - - - -	18
BENCH STANDS - - - - -	18 & 19
FOOT LIFTER PARTS - - - - -	19
KNEE LIFTER PARTS - - - - -	19
LAF SEAM FELLER - - - - -	20
MACHINE NO. 147-132 - - - - -	7
MACHINE BASES - - - - -	20 & 21
MACHINE BASE OIL DRAIN JAR - - - - -	21
NUMERICAL LIST OF PARTS - - - - -	23
THREAD UNWINDER - - - - -	22
THREAD UNWINDER SPOOL RESTS - - - - -	22

From the library of: Diamond Needle Corp

## INSTRUCTIONS FOR ORDERING

In ordering from this list, use ONLY the part NUMBER in the FIRST Column.

The number stamped on a Sewing Machine Part is in every case the number of the single part only.

Every combination of parts sent out as such has its specific number, which, although not stamped on the parts, must be used when ordering the combination.

Each number always indicates the SAME PART in whatever list it appears, or for whatever machine.

The letters after some of the numbers indicate the style of finish only, as follows:

- A-Hardened, Polished, Nickel Plated and Buffed.
- A.A-Buffed and Chromium Plated.
- A.B-Hardened, Polished, Buffed and Chromium Plated.
- A.C-Brown Baking Enamel Finish.
- A.D-Gray Baking Enamel Finish.
- A.E-Hardened, Bright Rumbled and Nickel Plated.
- A.F-Hardened, Bright Rumbled, Nickel Plated, Bright Rumbled and Chromium Plated.
- A.G-Alumilite, Plain.
- A.H-Alumilite Dyed.
- A.J-Polished, Nickel Plated and Chromium Plated.
- A.K-Hardened, Polished, Nickel Plated and Chromium Plated.
- A.L-Heat Treated for Toughness.
- B-Polished, Nickel Plated and Buffed.
- C-Hardened only.
- C.R-Hardened and Merlized.
- D-Polished Only.
- E-Soft, Not Polished.
- F-Hardened and Polished.
- F.J-Hardened, Polished and Nickel Plated.
- G-Bright Rumbled and Nickel Plated.
- H-Blued.
- J-Nickel Plated Only.
- K-Hardened and Nickel Plated.
- L-Brass Plated.
- M-Oxidized.
- N-Japanned, Dull.

## INSTRUCTIONS FOR ORDERING - Continued

- P-Japanned, Bright.
- P.P-Wrinkle Finish.
- R-Merlized.
- S-Cadmium Plated.
- T-Copper Plated.
- T.A-Hardened, Polished, Copper and Nickel Plated and Buffed.
- T.B-Copper and Nickel Plated and Polished.
- T.J-Copper and Nickel Plated Only.
- T.K-Hardened, Copper and Nickel Plated.
- T.L-Copper and Brass Plated.
- T.M-Copper Plated and Oxidized.
- U-Zinc Plated.
- V-Silver Plated.
- W-Polished and Nickel Plated.
- X-Black Oxide, for Iron and Steel.
- X.C-Hardened and Black Oxide, for Iron and Steel.
- Y-Black Nickel Plated Only.
- Z-Chromium Plated.
- Z.A-Hardened, Polished, Nickel Plated, Buffed and Chromium Plated.
- Z.B-Polished, Nickel Plated, Buffed and Chromium Plated.
- Z.C-Hardened and Chromium Plated.
- Z.D-Polished and Chromium Plated.
- Z.G-Bright Rumbled, Nickel Plated, Bright Rumbled and Chromium Plated.
- Z.J-Nickel and Chromium Plated.
- Z.T-Copper and Chromium Plated.

These letters MUST BE USED when they appear in the list; and AFTER the number as in the list.

In this series:

I to 1500, 50001 to 51500 and 140001 to 142000 are Screw Numbers.

1501 to 1800 and 51501 to 51800 are Nut Numbers.

1801 to 2000 and 51801 to 52000 are Roller Numbers.

2001 to 50000 and 52001 to 140000 and 142001 to 190000 are Sewing Machine Parts, 190001 and upward are numbers of Electrical Parts.

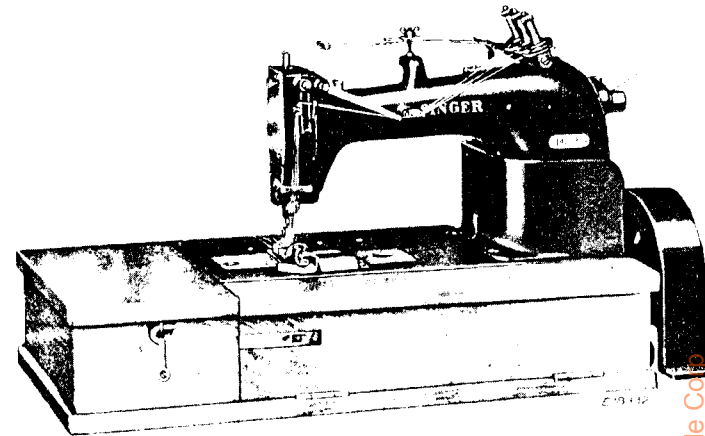
The figures in the second column refer only to the plates, illustrating the parts, and are NOT TO BE USED in ordering.

Parts marked with an asterisk (\*) are furnished only when repairs are made at factory.

When ordering parts which differ as to Gauge (the distance between seams) the Gauge, as well as the Number must be given on order.

## LIST OF PARTS COMPLETE

FOR



## MACHINE No. 147-132

FOR LAP SEAM FELLING HEAVY WEIGHT FABRICS.

THREE NEEDLES. THREE LOOPERS. GAUGES  $\frac{9}{64}$  INCH TO  $\frac{3}{16}$  INCH BETWEEN EACH NEEDLE, IN STEPS OF  $\frac{1}{64}$  INCH. THE STANDARD GAUGES ARE  $\frac{9}{64}$  INCH AND  $\frac{5}{32}$  INCH. NEEDLE BAR STROKE  $1\frac{3}{8}$  INCHES.

SPEED 3600 ACCORDING TO MATERIAL BEING STITCHED.

No.	Plate	Name
*131446	-----	Arm, upper and lower (solid) with 948J, 15404, 68483, two 131676 and four 131022.....
68428	20688	Arm Bottom Cover.....
68429	20688	" " " Gasket (cork).....
1057AL	20688	" " " Screw (4).....
50608R	20688	" Hole Plug Screw, for access to Crank Connecting Rod (upper bearing).....
139017	20688	Arm Hole Plug Screw Washer.....
68350	20695	" Oil Cup, for oiling Arm Rock Shaft Front Bearing.....
131864	24435	Arm Oil Cup, for 131866.....
131865	24435	" " " Oil Gauge.....
131866	24435	Arm Oil Cup with Oil Gauge complete for filling oil reservoir, Nos. 131864 and 131865.....

SINGER Needles should be used in SINGER Machines. These Needles and their Containers are marked with the Company's Trade-Mark "SIMANCO.\*\*" 1

Needles in Containers marked "FOR SINGER MACHINES" are NOT **SINGER** made needles. 2

No.	Plate	Name
131319	20695	Arm Oil Cup Oil Pad (braided cotton) for 68350.....
131293	20695	Arm Rock Shaft.....
131474	-----	" " " 131293 with 1235F, 127838 and 131475.....
1309C	20695	Arm Rock Shaft Adjusting Screw.....
131056	20695	" " " " " Washer
68433	20695	" " " Bushing (back).....
68435	20695	" " " " " Cap.....
131095	20695	" " " " " " Washer (fibre).....
446AL	20695	Arm Rock Shaft Bushing (back) Set Screw.....
68436	20695	Arm Rock Shaft Bushing (intermediate)
423AL	20695	" " " " " Set Screw.....
131072	24435	Arm Rock Shaft Crank, back (ball bearing solid) with two 50083AL..
50083AL	24435	Arm Rock Shaft Crank (back) Set Screw (2).....
131475	20695	Arm Rock Shaft Crank (front) with 853AL.....
127838	20695	Arm Rock Shaft Crank (front) Pin.....
131456	20695	" " " Flanged Bushing (front).....
453AL	20695	Arm Rock Shaft Flanged Bushing (front) Set Screw.....
42365	20695	Arm Rock Shaft Oil Pad (braided cotton) for oiling Back Bearing.....
54969	20695	Arm Rock Shaft Oil Pad (braided cotton) for oiling Intermediate Bearing.....
1235F	20695	Arm Rock Shaft Oil Plug Screw.....
131487	24435	" Rotary Shaft.....
131510	-----	" " " 131487 with 640E, 131502, 131870 and 131930.....
131366	24435	Arm Rotary Shaft Ball Bearing (back) (2).....
131478	24435	Arm Rotary Shaft Ball Bearing (back) Case.....
131479	-----	Arm Rotary Shaft Ball Bearing (back) Case 131478 with 131369 and three 205C.....
131526	-----	Arm Rotary Shaft Ball Bearing (back) Case with Ball Bearings complete, Nos. 131479, 131480 and two 131366.....
131369	24435	Arm Rotary Shaft Ball Bearing (back) Case Cap.....
205C	24435	Arm Rotary Shaft Ball Bearing (back) Case Cap Screw (3).....
131370	24435	Arm Rotary Shaft Ball Bearing (back) Case Position Stud (3).....
429C	24435	Arm Rotary Shaft Ball Bearing (back) Case Set Screw.....
131480	24435	Arm Rotary Shaft Ball Bearing (back) Spacing Collar.....

No.	Plate	Name
131366	24435	Arm Rotary Shaft Ball Bearing (intermediate).....
131481	24435	Arm Rotary Shaft Ball Bearing (intermediate) Case.....
1304C	24435	Arm Rotary Shaft Ball Bearing (intermediate) Case Set Screw.....
131482	24435	Arm Rotary Shaft Ball Bearing (intermediate) Collar with two 457AL...
457AL	24435	Arm Rotary Shaft Ball Bearing (intermediate) Collar Set Screw (2)....
131457	24435	Arm Rotary Shaft Bushing (front).....
761E	24435	" " " " " Set Screw.....
42367	24435	Arm Rotary Shaft Front Bearing Oil Pad, lower (braided cotton).....
54218	24435	Arm Rotary Shaft Front Bearing Oil Pad, upper (braided cotton).....
144D	24435	Arm Rotary Shaft Screw.....
131276	20688	" Side Cover (oil vent).....
131909	20688	" " " Cap.....
131280	20688	" " " " Position Pin.....
1289X	20688	" " " " Screw.....
131910	20688	" " " " Spring.....
131911	20688	Arm Side Cover (oil vent) complete, Nos. 1289X, 131276, 131280, 131909 and 131910.....
68448	20688	Arm Side Cover Gasket.....
1057AL	20688	" " " Screw (4).....
131913	24435	Balance Wheel, 2 in. pulley, with two 51283AL, for round belt.....
131914	-----	Balance Wheel (outside diam. of belt groove 2.9 in.) with two 51283AL, for "V" belt.....
51283AL	24435	Balance Wheel Set Screw (2).....
131466	24433	Cloth Plate.....
68368	24433	" " Slide (left).....
131050	24433	" " " " Spring.....
725J	24433	" " " " " Screw (2).....
131051	24433	Cloth Plate Slide (left) complete, Nos. 68368, 131050 and two 725J..
131379	24433	Cloth Plate Slide (right) (9/64 in. Throat Plate clearance cut) for 131386.....
131381	24433	Cloth Plate Slide (right) Spring.....
725J	24433	" " " " " Screw (2).....
131386	24433	Cloth Plate Slide (right) complete (9/64 in. Throat Plate clearance cut) for 131467, Nos. 131379, 131381 and two 725J.....
131467	-----	Cloth Plate complete, for Throat Plate with 9/64 in. offset Nos. 131051, 131386 and 131466.....
1011F	24433	Cloth Plate Screw (left) (2).....

No.	Plate	Name
50396F	24433	Cloth Plate Screw (right).....
131610	24433	" " Thread Guard.....
389F	24433	" " " " Screw (lower).....
50473F	24433	Cloth Plate Thread Guard Screw (upper).....
*131926	24435	Crank Connecting Rod with two each 1057AL, 51715AL, 131927 and 131928.....
Note: When No. 131926 is required for repairs, Connecting Rod and Arm Rock Shaft Crank (back) fitted together will be furnished. All Agency orders for this part must state the Machine number for which it is required, in order to obtain correct Needle Bar stroke.		
131930	-----	Crank Connecting Rod 131926 with 131072.....
131927	24435	Crank Connecting Rod Cap (lower) Screw Stud (2).....
51715AL	24435	Crank Connecting Rod Cap (lower) Screw Stud Nut (2).....
131928	24435	Crank Connecting Rod Cap (lower) Screw Stud Nut Lock Washer (2)....
1057AL	24435	Crank Connecting Rod Cap (upper) Screw (2).....
131139	24420	Face Plate (lower half).....
68461	24420	" " " " Gasket (cork)
330W	24420	" " " " Screw (2)....
131395	24420	" " (upper half).....
29234	24420	" " " " Position Plate.....
1053E	24420	Face Plate (upper half) Position Plate Screw.....
51224W	24420	Face Plate (upper half) Thumb Screw..
54487	24420	" " Thread Guard.....
236F	24420	" " " " Screw.....
131941	24421	Feed Bar.....
131730	24421	" " Feed Dog Seat (adjustable) with 460AL.....
190E	24421	Feed Bar Feed Dog Seat Screw.....
22436	24421	" " " " Washer..
131942	-----	Feed Bar with Feed Dog Leveling Device complete, Nos. 190E, 22436, 68467, 131730, 131941 and two 207E.....
131197	24421	Feed Bar Hinge Pin (eccentric).....
59343	24421	" " " " Collar with 735AL.
735AL	24421	" " " " Set Screw...
131943	24421	" " Slide Block.....
131944	24421	" " " " 131943 with 68495 and 134260.....
68495	24421	Feed Bar Slide Block Oil Pad (wick)..
134260	24421	" " " " Retainer
68467	24421	" " Wearing Plate.....

No.	Plate	Name
207E	24421	Feed Bar Wearing Plate Screw (2).....
131500	24435	" Connecting Rod with 1057AL, 58497, 134260 and two 896AL.....
131502	-----	Feed Connecting Rod 131500 with 54025
896AL	24435	" " " Cap Screw (2)....
1057AL	24435	" " " Clamping Screw...
68497	24435	" " " Oil Pad (wick)...
134260	24435	" " " " Retainer.
131662	24437	" Dog, 19 teeth (10 teeth to the inch) for 9/64 in. to 3/16 in. gauge, for use with 131844.....
Note: When ordering No. 131662, state gauge required.		
50073J	-----	Feed Dog Screw, when stationary Needle Guard is used.....
140275J	24437	Feed Dog Screw, when movable Needle Guard is used.....
460AL	24421	Feed Dog Stop Screw.....
*54024	-----	" Eccentric with 138306.....
*23729	-----	" " Body.....
51061AL	24435	" " Set Screw (3)....
7071	24435	" " Clamping Washer (2)...
217J	24435	" " " " Screw (2).....
138306	-----	Feed Eccentric Lubricating Pad (wood)
54025	24435	Feed Eccentric (adjustable) complete, Nos. 1103C, 23729, 54024, two each 217J, 7071 and three 51061AL
1103C	24435	Feed Regulating Screw.....
131240	24421	" Rocking Frame with two 453AL....
131945	-----	" " " 131240 with 59343, 131197 and 131942.....
57234	24421	Feed Rocking Frame Hinge Pin.....
57235	24421	" " " " Bushing (2).....
453AL	24421	Feed Rocking Frame Hinge Pin Bushing Set Screw (2).....
453AL	24421	Feed Rocking Frame Hinge Pin Set Screw (2).....
131323	24437	Looper (back) closed eye.....
Note: When ordering No. 131323, state gauge required.		
452C	24436	Looper (back) Set Screw.....
131324	24437	Looper (front) closed eye.....
Note: When ordering No. 131324, state gauge required.		
51011J	24437	Looper (front) Screw (left).....
1302J	24437	" " " (right).....
131325	24437	" (intermediate) closed eye.....
Note: When ordering No. 131325, state gauge required.		
131326	24437	Looper (intermediate) 131325 with 1302J, 51011J and 131324.....
1120AL	24436	Looper (intermediate) Set Screw.....
54027	24436	" Carrier with two 175E.....

No.	Plate	Name
175E	24436	Looper Carrier Adjusting Screw (2)...
54227	24436	" " Connection.....
54228	24436	" " " Shaft.....
128419	24436	" " " " Oil Pad (braided cotton).....
68478	24436	Looper Carrier Connection Shaft Sleeve (eccentric).....
51263D	24436	Looper Carrier Connection Shaft Sleeve Cap Screw.....
68479	24436	Looper Carrier Driver with four 175E.
175E	24436	" " " Cap Screw (4)...
131960	24436	" Driving Shaft and Feed Lifting Eccentric.....
131870	-----	Looper Driving Shaft and Feed Lifting Eccentric 131960 with 54027, 54227, 54228 and 68479.....
*68483	-----	Looper Driving Shaft and Feed Lifting Eccentric Bracket with 761E.....
948J	24435	Looper Driving Shaft and Feed Lifting Eccentric Bracket Screw.....
131959	24436	Looper Driving Shaft and Feed Lifting Eccentric Bushing.....
131028	24436	Looper Driving Shaft and Feed Lifting Eccentric Bushing Oil Plug.....
761E	24435	Looper Driving Shaft and Feed Lifting Eccentric Bushing Position Screw.
68497	-----	Looper Driving Shaft and Feed Lifting Eccentric Front Bearing Oil Pad (wick).....
640E	24435	Looper Driving Shaft and Feed Lifting Eccentric Screw.....
131052	24436	Looper Holder with 452C and 1120AL...
51119J	24436	" " Screw.....
68485	24436	" Throw-out Handle with two 443AL.....
68486	24436	Looper Throw-out Handle Plunger.....
43503	24436	" " " " Spring.....
443AL	24436	Looper Throw-out Handle Set Screw (2)
64319	24420	Needle Bar (hollow).....
54493	-----	Needle Bar complete, Nos. 64319 and 128215.....
		Note: When ordering No. 54493, state gauge required.
131291	24420	Needle Bar Bushing (lower).....
1133E	24420	" " " " Set Screw.
64320	24420	" " " (upper).....
1133E	24420	" " " " Set Screw.
68488	24420	" " Connecting Link and Thread (upper) Controller.....
131399	-----	Needle Bar Connecting Link and Thread (upper) Controller 68488 with 68489 and 131400.....
68489	24420	Needle Bar Connecting Link Hinge Stud (hollow).....

No.	Plate	Name
1520J	24420	Needle Bar Connecting Link Hinge Stud Nut.....
131270	24420	Needle Bar Connecting Link Hinge Stud Oil Pad (wick).....
861F	24420	Needle Bar Connecting Link Hinge Stud Oil Plug Screw.....
853AL	20695	Needle Bar Connecting Link Hinge Stud Set Screw.....
131400	-----	Needle Bar Connecting Stud with 211F and 1492E.....
1492E	24420	Needle Bar Connecting Stud Clamping Screw.....
128215	24420	Needle Clamp with three 1498AL.....
		Note: When ordering No. 128215, state gauge required.
131144	24437	Needle Guard (movable) for 9/64 in. gauge.....
131145	24437	Needle Guard (movable) for 5/32 in. to 3/16 in. gauges.....
		Note: When ordering Nos. 131144 or 131145, state gauge required.
68123	24437	Needle Guard (movable) Clamp.....
1498AL	24420	" Set Screw (3).....
68492	20703	Oil Pipe (back of arm) with 68497, for oiling Feed Rocking Frame Hinge Pin Front Bearing.....
68493	20703	Oil Pipe (back of arm) Clamp.....
176E	20703	" " " " " " " Screw...
68494	20703	" " " " " " " Connection with 68495 and two 198E, for oiling Feed Rocking Frame Hinge Pin Back Bearing.....
198E	20703	Oil Pipe (back of arm) Connection Cap Screw (2).....
68495	20703	Oil Pipe (back of arm) Connection Oil Pad (wick).....
68496	20703	Oil Pipe (back of arm) Coupling.....
1733	20703	" " " " " " " Nut (brass).....
68497	20703	Oil Pipe (back of arm) Oil Pad (wick)
68498	20703	" " (front of arm) with 131089 and two 1733, for oiling Looper Driving Shaft and Feed Lifting Eccentric Front Bearing.....
131112	20703	Oil Pipe (front of arm) with 68497 and 131005, for oiling Feed Bar Slide Block.....
68500	20703	Oil Pipe (front of arm) with 1733, 131084 and 131089, for oiling Arm Rotary Shaft Front Bearing.....
131113	20703	Oil Pipe (front of arm) with 68497 and 131003, for oiling Feed Connecting Rod.....
131258	-----	Oil Pipe (front of arm) complete, Nos. 68498, 68500, 131112 and 131113.....

No.	Plate	Name
131002	20703	Oil Pipe (front of arm) Connection with two 198E, for oiling Looper Throw-out Device.....
131003	20703	Oil Pipe (front of arm) Connection with two 198E, for 131112 and 131113 (2).....
131084	20703	Oil Pipe (front of arm) Connection with two 198E, for 68500.....
198E	20703	Oil Pipe (front of arm) Connection Cap Screw (8).....
131004	20703	Oil Pipe (front of arm) Coupling (center).....
131004	20703	Oil Pipe (front of arm) Coupling (left).....
131087	20703	Oil Pipe (front of arm) Coupling (right) with Oil Lead.....
1733	20703	Oil Pipe (front of arm) Coupling Nut (brass) (3).....
131089	20703	Oil Pipe (front of arm) Oil Pad (wick) for 68498 and 68500 (2)...
68497	20703	Oil Pipe (front of arm) Oil Pad (wick) for 131112 and 131113 (2).
131912	24420	Presser Bar (hollow).....
131292	24420	" " Bushing (lower).....
1133E	24420	" " " " Set Screw
38456	24420	" " " " (upper).....
1133E	24420	" " " " Set Screw
131401	24420	" " " " Lifting Bracket with 453AL.....
11173	24420	Presser Bar Lifting Bracket Guide....
453AL	24420	" " " " " " Set Screw.....
453AL	24420	Presser Bar Lifting Bracket Set Screw
131402	24423	" " " " Lever.....
68184	24423	" " " " Extension..
161J	24423	" " " " " " Screw (2).....
802X	24423	Presser Bar Lifting Lever Hinge Screw
131749	20688	" " " " Spring.....
131750	20688	" " " " (auxiliary).....
131751	20688	" " " " Screw Stud.....
1637J	20688	" " " " " " Lock Nut.....
38468	20688	Presser Bar Spring Stud.....
131830	20688	Presser Bar Spring complete, Nos. 1637J, 51697W and 131749 to 131752.....
131851	20688	Presser Bar Spring (less auxiliary spring) complete, Nos. 1637J, 42290K, 51697W, 131749 to 131751.
131697	24437	Presser Foot Plate.....
128390	24437	" " " " Hinge Stud (2)....
662J	24437	" " " " " " Position Screw (2).....
131698	24437	Presser Foot Shank.....
131699	-----	" " " " Yielding Heel.....

No.	Plate	Name
131700	24437	Presser Foot Yielding Heel Connection
18055	24437	" " " " " "
		Hinge Pin.....
27114	24437	Presser Foot Yielding Heel Connection Spring.....
18055	24437	Presser Foot Yielding Heel Hinge Pin.
131701	24437	Presser Foot (triple hinged) complete, for 9/64 in. to 3/16 in. gauges, Nos. 27114, 131697 to 131700 and two each 662J, 18055 and 128390.....
190J	24437	Presser Foot Screw.....
51697W	20688	Pressure Regulating Thumb Nut.....
131752	20688	" " " " Washer for 131830.....
42290K	20688	Pressure Regulating Thumb Nut Washer for 131851.....
131025	24423	Slack Thread Controller.....
54242	24423	" " " " Clamp.....
190J	24423	" " " " Screw..
131427	24424	" " " " Regulator.....
131404	24424	" " " " Holder.....
131405	24424	" " " " Crank with 171AL.....
1423J	24424	Slack Thread Regulator Holder Crank Cap Screw.....
171AL	24424	Slack Thread Regulator Holder Crank Clamping Screw.....
131406	24424	Slack Thread Regulator Holder Crank Connecting Link.....
217J	24424	Slack Thread Regulator Screw.....
131146	24423	Tension (under thread) Bracket.....
691F	-----	" " " " " " Screw (2).....
2102	24423	Tension (under thread) Disc (6).....
51570C	24423	" " " " " " Regulating Thumb Nut (3).....
50326C	24423	Tension (under thread) Screw Stud (3)
59539	-----	" " " " " " " " 50326C with 51570C (3).....
131740	24423	Tension (under thread) Spring (3)....
59537	24423	" " " " " " Bushing (large) (3).....
59538	24423	Tension (under thread) Spring Bushing (small) (3).....
131696	24423	Tension (under thread) Thread Guide (3).....
68002	24423	Tension (upper thread) Bracket.....
376J	24423	" " " " " " Screw.
2102	24423	" " " " " " Disc (6).....
51570C	24423	" " " " " " Regulating Thumb Nut (3).....
32572	24423	Tension (upper thread) Releasing Disc (3).....
54988	24423	Tension (upper thread) Releasing Pin (3).....



No.	Plate	Name
68003	24423	Tension (upper thread) Releasing Shaft.....
54047	24423	Tension (upper thread) Releasing Shaft Crank with 624AL.....
54048	24423	Tension (upper thread) Releasing Shaft Crank Link.....
624AL	24423	Tension (upper thread) Releasing Shaft Crank Set Screw.....
68261	24423	Tension (upper thread) Releasing Shaft Spring.....
131011	24423	Tension (upper thread) Releasing Shaft Spring Position Plate.....
316C	24423	Tension (upper thread) Releasing Shaft Stop Screw.....
1547J	24423	Tension (upper thread) Releasing Shaft Stop Screw Nut.....
50326C	24423	Tension (upper thread) Screw Stud (3)
59539	-----	" " " " " "
		50326C with 51570C (3).....
131741	24423	Tension (upper thread) Spring (3)....
59537	24423	" " " " Bushing (large) (3).....
59538	24423	Tension (upper thread) Spring Bushing (small) (3).....
131696	24423	Tension (upper thread) Thread Guide (3).....
131581	24423	Thread (under) Eyelet (back).....
190J	24423	" " " " Screw....
131407	24435	" " Take-up with 1258AL....
131408	24424	" " Oil Guard.....
50438J	24424	" " " " " "
		Screw.....
1258AL	24435	Thread (under) Take-up Set Screw....
131824	24424	" " " Stripper.....
54242	24424	" " " " Clamp
190J	24424	" " " " " "
		Screw.....
131825	24424	Thread (under) Take-up Stripper Plate
131411	24424	" " " " " "
		Bracket.....
131936	24424	Thread (under) Take-up Stripper Plate Bracket 131411 with 217J, 32062, 50438J, 54242, 131408, 131413, 131421, 131422, 131824, 131825, two each 207J, 7071, 50470J, 131430 and four 190J.....
965D	24424	Thread (under) Take-up Stripper Plate Bracket Screw.....
190J	24424	Thread (under) Take-up Stripper Plate Screw (3).....
32062	-----	Thread (under) Take-up Stripper Washer.....
131413	24424	Thread (under) Take-up Thread Guard (fibre).....
50470J	24424	Thread (under) Take-up Thread Guard Screw (2).....

No.	Plate	Name
131421	24424	Thread (under) Take-up Thread Guide (intermediate, left).....
207J	24424	Thread (under) Take-up Thread Guide (intermediate, left) Screw.....
7071	24424	Thread (under) Take-up Thread Guide (intermediate, left) Screw Washer
131422	24424	Thread (under) Take-up Thread Guide (intermediate, right).....
207J	24424	Thread (under) Take-up Thread Guide (intermediate, right) Screw.....
7071	24424	Thread (under) Take-up Thread Guide (intermediate, right) Screw Washer.....
131429	24424	Thread (under) Take-up Thread Guide (left).....
131430	-----	Thread (under) Take-up Thread Guide (left) 131429 with 236C and 131204.....
217J	24424	Thread (under) Take-up Thread Guide (left) Screw.....
131204	24424	Thread (under) Take-up Thread Guide (left) Thread Retainer.....
236C	24424	Thread (under) Take-up Thread Guide (left) Thread Retainer Screw....
131429	24424	Thread (under) Take-up Thread Guide (right).....
131430	-----	Thread (under) Take-up Thread Guide (right) 131429 with 236C and 131204.....
131204	24424	Thread (under) Take-up Thread Guide (right) Thread Retainer.....
236C	24424	Thread (under) Take-up Thread Guide (right) Thread Retainer Screw....
68006	24423	Thread (upper) Eyelet.....
190J	-----	" " " " Screw.....
131336	24423	" " Take-up.....
68008	24423	" " " " Plate.....
68164	24423	" " " " Spring..
1449J	24423	" " " " " "
		Screw.....
131337	-----	Thread (upper) Take-up complete, Nos. 1449J, 68008, 68164, and 131336..
211F	-----	Thread (upper) Take-up Set Screw....
131844	24437	Throat Plate for 9/64 in. to 3/16 in. gauges, for use with 131662.....
		Note: When ordering No. 131844, state gauge required.
742F	24437	Throat Plate Screw (2).....
*15404	-----	Trade Mark.....
131676	-----	" " Rivet (2).....

**ACCESSORIES**

No.	Plate	Name
120344	20691	Oiler (copper plated) with 120345....
120345	20691	" Spout, 4 1/2 in. long.....
120440	20691	Screw Driver (large).....
121108	20691	" " (small).....
120341	20691	Tweezers (curved).....
4822	20691	Wrench for 1547.....
8908	20691	" " 1520.....
17905	20691	" " 140123.....
164197	20691	" " 51715 (not regularly furnished).....

**BELT GUARD**

No.	Plate	Name
68222	20633	Belt Guard with two wood screws 1 in. No. 12.....

**BENCH STANDS**

**BENCH STAND NO. 79772**

**FOR MACHINE BASE NO. 131264**

**WHEN MACHINE IS MOUNTED ON TOP OF TABLE**

No.	Plate	Name
79772	-----	Bench Stand with 27998, two each 41538, 126849, three wood screws 1 1/4 in. No. 12, four each 60656, wood screws 1 1/4 in. No. 10, eight wood screws 5/8 in. No. 6 and sixteen wood screws 5/8 in. No. 7.....
126849	20691	Flap Hinge with four wood screws 3/4 in. No. 7 (2).....
27998	20691	Flap Hook and Eye (large) with wood screw 1/2 in. No. 5.....
126247	20691	Flush Bolt (2).....
126248	20691	" " Plate (2).....
41538	-----	Flush Bolt with Plate complete, Nos. 126247, 126248 and four brass wood screws 5/8 in. No. 4 (2)....
60656	20691	Hinge (4).....

**BENCH STAND NO. 135115**

**FOR MACHINE BASE NO. 131919**

**WHEN MACHINE IS MOUNTED SEMI-SUBMERGED**

No.	Plate	Name
135115	-----	Bench Stand with 27998, 60220 and four each 126849 with wood screws 5/8 in. No. 7 F.H. (in place of wood screws 3/4 in. No. 7 F.H.) and wood screws 1 1/2 in. No. 10 F.H.....
126849	20691	Flap Hinge with four wood screws 5/8 in. No. 7 F.H. (4).....
27998	20691	Flap Hook and Eye (large) with wood screw 1/2 in. No. 5.....
60220	-----	Flap Hook and Eye (small) with wood screw 5/8 in. No. 4.....

**FOOT LIFTER PARTS**

No.	Plate	Name
6439	-----	Chain, 36 in. to 45 in., with 56864 and 56865.....
Note: When ordering No. 6439, state length required.		
4879	20633	Chain Connecting Link.....
56864	20691	" Hook (large).....
56865	20691	" " (small).....
126249	20633	Treadle.....
4882	20633	" Shaft.....
126250	20633	" Spring.....
150451	20633	" Stand.....
150452	20633	Treadle complete, Nos. 4879, 4882, 126249, 126250, 150451 and two wood screws 1 in. No. 16 F.H.....

**KNEE LIFTER PARTS**

**FOR USE WHEN MACHINE IS MOUNTED ON TOP OF TABLE**

No.	Plate	Name
37563	-----	Chain, length 15 in., with 56864 and 56865.....
56864	20691	Chain Hook (large).....
56865	20691	" " (small).....
2763	20633	Rock Shaft.....
12242	20633	" " Hanger with two wood screws 1 in. No. 10 (2).....

From the library of: Diamond Needle Corp

## KNEE LIFTER

No.	Plate	Name
6335	20633	Rock Shaft Knee Arm.....
6336	-----	Rock Shaft Knee Arm complete, Nos. 2766, 2767 and 6335.....
2766	20633	Rock Shaft Knee Arm Hub with 356C....
356C	20633	" " " " " Set Screw....
2767	20633	" " " " Plate with 356C.....
356C	20633	" " " " " Set Screw.....
6337	20633	" " " " Lifting Bracket with two 356C.....
7125	20633	Rock Shaft Lifting Bracket Hook.....
356C	20633	" " " " " " Set Screw.....
356C	20633	Rock Shaft Lifting Bracket Set Screw....
2770	20633	" " " " Stop Dog with 140219C.....
140219C	20633	" " " " " Set Screw.....
23767	20633	Rock Shaft complete, Nos. 2763, 2770, 6336, 6337, 7125 and two 12242....

## LAP SEAM FELLER

No.	Plate	Name
121440	24438	Lap Seam Feller (adjustable) on Shank, for medium heavy and heavy weight material.....
1499J	24438	Lap Seam Feller Screw (2).....

## MACHINE BASES

## MACHINE BASE NO. 131264

WHEN MACHINE IS MOUNTED ON TOP OF TABLE

FOR USE WITH BENCH STAND NO. 79772

No.	Plate	Name
131263	24409	Machine Base.....
54477	24409	" " Screw Stud, to fasten base to table (3).....
131205	24409	Machine Base Screw Stud, to position machine on base (4).....
51576E	24409	Machine Base Screw Stud Nut (3).....
9842	24409	" " " " " Washer (3).....
131022	24409	Machine Base Screw Stud Bushing (rub- ber) (4).....
131279	24409	Machine Cushion (felt) (4).....
131264	24409	Machine Base complete, Nos. 131263, three each 9842, 51576E, 54477 and four each 131205 and 131279..

No.	Plate	Name
131264	24409	Machine Base and Oil Drain Jar (swinging type) complete, Nos. 131264 and 131268.....

## MACHINE BASE NO. 131919

WHEN MACHINE IS MOUNTED SEMI-SUBMERGED

FOR USE WITH BENCH STAND NO. 135115

No.	Plate	Name
131918	24410	Machine Base.....
51428R	24410	" " Bolt with 1778R (4).....
1778R	24410	" " " " Nut (4).....
126150	24410	" " " " Lock Washer (4)
69353	24410	Machine Base Bolt complete, to fasten base to table, Nos. 51428R and 126150 (4).....
131205	24410	Machine Base Screw Stud, to position machine on base (4).....
131222	24409	Machine Base Screw Stud Bushing (rub- ber) (4).....
131279	24410	Machine Cushion (felt) (4).....
131919	24410	Machine Base complete, Nos. 131918 and four each 69353, 131205 and 131279.....
131920	24410	Machine Base and Oil Drain Jar (swinging type) complete, for semi-submerged mounting, Nos. 131268 and 131919.....

## MACHINE BASE OIL DRAIN JAR

(SWINGING TYPE)

No.	Plate	Name
131961	24409	Jar (glass).....
131962	24409	" Cap.....
131189	24409	" Clamp.....
131217	-----	" " 131189 with 131189.....
131189	24409	" " Lever.....
1247AL	24409	" " " Hinge Screw (2).....
131265	24409	Nipple (long) (2).....
131266	24409	" (short).....
131267	24409	" Elbow (2).....
131268	24409	Machine Base Oil Drain Jar (swinging type) complete, Nos. 131217, 131266, 131961, 131962 and two each 1247AL, 131265 and 131267...

## THREAD UNWINDER

FOR SIX CONES

No.	Plate	Name
150364	23109	Base with two 437C.....
150653	23109	Rod.....
437C	23109	" Set Screw (2).....
150366	23109	Thread Cone Holder (6).....
164J	23109	" " " Screw (6).....
19020	23109	" " " Washer (6)...
150654	23109	" " " Support, for two cones.....
150367	23109	Thread Cone Holder Support, for four cones.....
150655	23109	Thread Cone Holder Support Bracket for use with 150654.....
51083R	23109	Thread Cone Holder Support Bracket Bolt with 51581R.....
51581R	-----	Thread Cone Holder Support Bracket Bolt Nut.....
51083R	23109	Thread Cone Holder Support Bolt with 51581R, for use with 150657.....
51581R	-----	Thread Cone Holder Support Bolt Nut..
150368	23109	" " Steady Wire (6).....
150656	23109	" Guide for two threads.....
150369	23109	" " " four threads.....
178J	23109	" " " Screw (2).....
150657	23109	Thread Unwinder complete, for invert- ed cones, Nos. 51083R, 51083R, 150364, 150367, 150369, 150655 to 150656, two 178J, three wood screws 1 1/2 in. No. 16 P.H. and six each 164J, 19020, 150366 and 150368.....

## THREAD UNWINDER SPOOL RESTS

FOR USE WHEN SPOOLS ARE USED IN PLACE

OF CONES OF THREAD

FOR USE WITH THREAD UNWINDER NO. 150657

No.	Plate	Name
150647	23109	Spool Rest with 178J (6).....
150203	23109	" " Cushion (felt) (6).....
150658	23109	" " Rod for two spool rests..
150649	23109	" " " four spool rests..
178J	23109	" " " Set Screw (2).....
178J	23109	" " " Set Screw (6).....
150665	23109	Spool Rests complete (for six spools) Nos. 150649, 150658, two 178J and six each 150203 and 150647.....

NUMERICAL

LIST

OF PARTS

From the Library of Diamond Research Corp.

## NUMERICAL LIST OF PARTS

No.	Plate	Name
144D	24435	Arm Rotary Shaft Screw.....
161J	24423	Presser Bar Lifting Lever Extension Screw (2).....
164J	23109	Thread Unwinder Thread Cone Holder Screw for 150657 (6).....
171AL	24424	Slack Thread Regulator Holder Crank Clamping Screw for 131405.....
175E	24436	Looper Carrier Adjusting Screw for 54027 (2).....
175E	24436	Looper Carrier Driver Cap Screw for 68479 (4).....
176E	20703	Oil Pipe (back of arm) Clamp Screw...
178J	23109	Thread Unwinder Spool Rest Rod Set Screw for 150663 (2).....
178J	23109	Thread Unwinder Spool Rest Set Screw for 150647 (6).....
178J	23109	Thread Unwinder Thread Guide Screw for 150657 (2).....
190E	24421	Feed Bar Feed Dog Seat Screw for 131942.....
190J	24437	Presser Foot Screw.....
190J	24423	Slack Thread Controller Clamp Screw..
190J	24423	Thread (under) Eyelet (back) Screw...
190J	24424	" " Take-up Stripper Clamp Screw for 131936.....
190J	24424	Thread (under) Take-up Stripper Plate Screw for 131936 (3).....
190J	-----	Thread (upper) Eyelet Screw.....
198E	20703	Oil Pipe (back of arm) Connection Cap Screw for 68494 (2).....
198E	20703	Oil Pipe (front of arm) Connection Cap Screw for 131002, 131003 and 131084 (8).....
205C	24435	Arm Rotary Shaft Ball Bearing (back) Case Cap Screw for 131479 (3)....
207E	24421	Feed Bar Wearing Plate Screw for 131942 (2).....
207J	24424	Thread (under) Take-up Thread Guide (intermediate, left) Screw for 131936.....
207J	24424	Thread (under) Take-up Thread Guide (intermediate, right) Screw for 131936.....
211F	-----	Thread (upper) Take-up Set Screw for 131400.....
217J	24435	Feed Eccentric Clamping Washer Screw for 54025 (2).....
217J	24424	Slack Thread Regulator Screw.....
217J	24424	Thread (under) Take-up Thread Guide (left) Screw for 131936.....

From the library of: Diamond Needle Corp

No.	Plate	Name
236F	24420	Face Plate Thread Guard Screw.....
236C	24424	Thread (under) Take-up Thread Guide (left) Thread Retainer Screw for 131430.....
236C	24424	Thread (under) Take-up Thread Guide (right) Thread Retainer Screw for 131430.....
316C	24423	Tension (upper thread) Releasing Shaft Stop Screw.....
330W	24420	Face Plate (lower half) Screw (2)....
356C	20633	Knee Lifter Rock Shaft Knee Arm Hub Set Screw for 2766.....
356C	20633	Knee Lifter Rock Shaft Knee Plate Set Screw for 2767.....
356C	20633	Knee Lifter Rock Shaft Lifting Bracket Hook Set Screw for 6337.....
356C	20633	Knee Lifter Rock Shaft Lifting Bracket Set Screw for 6337.....
376J	24423	Tension (upper thread) Bracket Screw.
389F	24433	Cloth Plate Thread Guard Screw (low- er).....
423AL	20695	Arm Rock Shaft Bushing (Intermediate) Set Screw.....
429C	24435	Arm Rotary Shaft Ball Bearing (back) Case Set Screw.....
437C	23109	Thread Unwinder Rod Set Screw for 150364 (2).....
443AL	24436	Looper Throw-out Handle Set Screw for 68485 (2).....
446AL	20695	Arm Rock Shaft Bushing (back) Set Screw.....
452C	24436	Looper (back) Set Screw for 131052...
453AL	20695	Arm Rock Shaft Flanged Bushing (front) Set Screw.....
453AL	24421	Feed Rocking Frame Hinge Pin Bushing Set Screw (2).....
453AL	24421	Feed Rocking Frame Hinge Pin Set Screw for 131240 (2).....
453AL	24420	Presser Bar Lifting Bracket Guide Set Screw for 131401.....
453AL	24420	Presser Bar Lifting Bracket Set Screw
457AL	24435	Arm Rotary Shaft Ball Bearing (inter- mediate) Collar Set Screw for 131482 (2).....
460AL	24421	Feed Dog Stop Screw for 131730.....
624AL	24423	Tension (upper thread) Releasing Shaft Crank Set Screw for 54047..
640E	24435	Looper Driving Shaft and Feed Lifting Eccentric Screw for 131510.....
662J	24437	Presser Foot Plate Hinge Stud Po- sition Screw for 131701 (2).....
691F	-----	Tension (under thread) Bracket Screw (2).....
725J	24433	Cloth Plate Slide (left) Spring Screw for 131051 (2).....

No.	Plate	Name
725J	24433	Cloth Plate Slide (right) Spring Screw for 131386 (2).....
735AL	24421	Feed Bar Hinge Pin Collar Set Screw for 59343.....
742F	24437	Throat Plate Screw (2).....
761E	24435	Arm Rotary Shaft Bushing (front) Set Screw.....
761E	24435	Looper Driving Shaft and Feed Lifting Eccentric Bushing Position Screw for 68483.....
802X	24423	Presser Bar Lifting Lever Hinge Screw
853AL	20695	Needle Bar Connecting Link Hinge Stud Set Screw for 131475.....
861F	24420	Needle Bar Connecting Link Hinge Stud Oil Plug Screw.....
896AL	24435	Feed Connecting Rod Cap Screw for 131500 (2).....
948J	24435	Looper Driving Shaft and Feed Lifting Eccentric Bracket Screw for 131446.....
965D	24424	Thread (under) Take-up Stripper Plate Bracket Screw.....
1011F	24433	Cloth Plate Screw (left) (2).....
1053E	24420	Face Plate (upper half) Position Plate Screw.....
1057AL	20698	Arm Bottom Cover Screw (4).....
1057AL	20688	Arm Side Cover Screw (4).....
1057AL	24435	Crank Connecting Rod Cap (upper) Screw for 131926 (2).....
1057AL	24435	Feed Connecting Rod Clamping Screw for 131500.....
1103C	24435	Feed Regulating Screw for 54025.....
1120AL	24436	Looper (Intermediate) Set Screw for 131052.....
1133E	24420	Needle Bar Bushing (lower) Set Screw.
1133E	24420	" " " (upper) Set Screw.
1133E	24420	Presser Bar Bushing (lower) Set Screw
1133E	24420	" " " (upper) Set Screw
1235F	20695	Arm Rock Shaft Oil Plug Screw for 131474.....
1247AL	24409	Machine Base Oil Drain Jar Clamp Lever Hinge Screw for 131268 (2).
1258AL	24435	Thread (under) Take-up Set Screw for 131407.....
1289X	20688	Arm Side Cover Cap Screw for 131911..
1302J	24437	Looper (front) Screw (right) for 131326.....
1304C	24435	Arm Rotary Shaft Ball Bearing (inter- mediate) Case Set Screw.....
1309C	20695	Arm Rock Shaft Adjusting Screw.....
1423J	24424	Slack Thread Regulator Holder Crank Cap Screw.....
1449J	24423	Thread (upper) Take-up Plate Spring Screw for 131337.....
1492E	24420	Needle Bar Connecting Stud Clamping Screw for 131400.....

No.	Plate	Name
1498AL	24420	Needle Set Screw for 128215 (3).....
1499J	24438	Lap Seam Feller Screw (2).....
1520J	24420	Needle Bar Connecting Link Hinge Stud Nut.....
1547J	24423	Tension (upper thread) Releasing Shaft Stop Screw Nut.....
1637J	20688	Presser Bar Spring Screw Stud Lock Nut for 131830 and 131851.....
1733	20703	Oil Pipe (back of arm) Coupling Nut (brass).....
1733	20703	Oil Pipe (front of arm) Coupling Nut (brass) for 68498 (3).....
1778R	24410	Machine Base Bolt Nut for 51428R (4).
2102	24423	Tension (under thread) Disc (6).....
2102	24423	" (upper thread) Disc (6).....
2763	20633	Knee Lifter Rock Shaft for 23767.....
2766	20633	" " " " Knee Arm Hub with 356C, for 6336.....
2767	20633	Knee Lifter Rock Shaft Knee Plate with 356C, for 6336.....
2770	20633	Knee Lifter Rock Shaft Stop Dog with 140219C, for 23767.....
4822	20691	Wrench for 1547 (Accessories).....
4879	20633	Foot Lifter Chain Connecting Link for 150452.....
4882	20633	Foot Lifter Treadle Shaft for 150452.
6335	20633	Knee Lifter Rock Shaft Knee Arm for 6336.....
6336	-----	Knee Lifter Rock Shaft Knee Arm complete, for 23767, Nos. 2766, 2767 and 6335.....
6337	20633	Knee Lifter Rock Shaft Lifting Bracket with two 356C, for 23767.....
6439	-----	Foot Lifter Chain, 36 in. to 45 in. with 56864 and 56865.....
		Note: When ordering No. 6439 state length required.
7071	24435	Feed Eccentric Clamping Washer for 54025 (2).....
7071	24424	Thread (under) Take-up Thread Guide (intermediate, left) Screw Washer for 131936.....
7071	24424	Thread (under) Take-up Thread Guide (intermediate, right) Screw Washer for 131936.....
7125	20633	Knee Lifter Rock Shaft Lifting Bracket Hook for 23767.....
8908	20691	Wrench for 1520 (Accessories).....
9842	24409	Machine Base Screw Stud Nut Washer for 131264 (3).....
11173	24420	Presser Bar Lifting Bracket Guide....
12242	20633	Knee Lifter Rock Shaft Hanger with two wood screws 1 in. No. 10, for 23767 (2).....
*15404	-----	Trade Mark for 131446.....

No.	Plate	Name
17905	20691	Wrench for 140123 (Accessories).....
18055	24437	Presser Foot Yielding Heel Connection Hinge Pin for 131701.....
18055	24437	Presser Foot Yielding Heel Hinge Pin for 131701.....
19020	23109	Thread Unwinder Thread Cone Holder Screw Washer for 150657 (6).....
22436	24421	Feed Bar Feed Dog Seat Screw Washer for 131942.....
*23729	-----	Feed Eccentric Body for 54025.....
23767	20633	Knee Lifter Rock Shaft complete, for use when machine is mounted on top of table, Nos. 2763, 2770, 6336, 6337, 7125 and two 12242...
27114	24437	Presser Foot Yielding Heel Connection Spring for 131701.....
27998	20691	Bench Stand Flap Hook and Eye (large) with wood screw 1/2 in. No. 5, for 79772 and 135115.....
29234	24420	Face Plate (upper half) Position Plate.....
32062	-----	Thread (under) Take-up Stripper Washer for 131936.....
32572	24423	Tension (upper thread) Releasing Disc (3).....
37563	-----	Knee Lifter Chain, length 15 in. with 56864 and 56865.....
38456	24420	Presser Bar Bushing (upper).....
38468	20688	" " Spring Stud.....
41538	-----	Bench Stand Flush Bolt with Plate complete, for 79772, Nos. 126247, 126248 and four brass wood screws 5/8 in. No. 4 (2).....
42290K	20688	Pressure Regulating Thumb Nut Washer for 131851.....
42365	20695	Arm Rock Shaft Oil Pad (braided cotton) for oiling Back Bearing.....
42367	24435	Arm Rotary Shaft Front Bearing Oil Pad, lower (braided cotton).....
43503	24436	Looper Throw-out Handle Plunger Spring.....
50073J	-----	Feed Dog Screw, when stationary Needle Guard is used.....
50083AL	24435	Arm Rock Shaft Crank (back) Set Screw for 131072 (2).....
50326C	24423	Tension (under thread) Screw Stud for 59539 (3).....
50326C	24423	Tension (upper thread) Screw Stud for 59539 (3).....
50396F	24433	Cloth Plate Screw (right).....
50438J	24424	Thread (under) Take-up Oil Guard Screw for 131936.....
50470J	24424	Thread (under) Take-up Thread Guard Screw for 131936 (2).....
50473F	24433	Cloth Plate Thread Guard Screw (upper).....

No.	Plate	Name
50608R	20688	Arm Hole Plug Screw, for access to Crank Connecting Rod (upper bearing).....
51011J	24437	Looper (front) Screw (left) for 131326.....
51061AL	24435	Feed Eccentric Body Set Screw for 54025 (3).....
51082R	23109	Thread Unwinder Thread Cone Holder Support Bolt with 51581R, for 150657, for use with 150367.....
51083R	23109	Thread Unwinder Thread Cone Holder Support Bracket Bolt with 51581R, for 150657.....
51119J	24436	Looper Holder Screw.....
51224W	24420	Face Plate (upper half) Thumb Screw..
51263D	24436	Looper Carrier Connection Shaft Sleeve Cap Screw.....
51283AL	24435	Balance Wheel Set Screw for 131913 and 131914 (2).....
51428R	24410	Machine Base Bolt with 1778R, for 69353 (4).....
51570C	24423	Tension (under thread) Regulating Thumb Nut for 59539 (3).....
51570C	24423	Tension (upper thread) Regulating Thumb Nut for 59539 (3).....
51576E	24409	Machine Base Screw Stud Nut for 131264 (3).....
51581R	-----	Thread Unwinder Thread Cone Holder Support Bracket Bolt Nut for 51083.....
51581R	-----	Thread Unwinder Thread Cone Holder Support Bolt Nut for 51082.....
51697W	20688	Pressure Regulating Thumb Nut for 131830 and 131851.....
51715AL	24435	Crank Connecting Rod Cap (lower) Screw Stud Nut for 131926 (2)....
*54024	-----	Feed Eccentric with 138306, for 54025
54025	24435	Feed Eccentric (adjustable) complete, for 131502, Nos. 1103C, 23729, 54024 and two each 217J, 7071 and three 51061AL.....
54027	24436	Looper Carrier with two 175E, for 131870.....
54047	24423	Tension (upper thread) Releasing Shaft Crank with 624AL.....
54048	24423	Tension (upper thread) Releasing Shaft Crank Link.....
54218	24435	Arm Rotary Shaft Front Bearing Oil Pad, upper (braided cotton).....
54227	24436	Looper Carrier Connection for 131870.
54228	24436	" " " Shaft for 131870.....
54242	24423	Slack Thread Controller Clamp.....
54242	24424	Thread (under) Take-up Stripper Clamp for 131936.....

No.	Plate	Name
54477	24409	Machine Base Screw Stud, to fasten base to table for 131264 (3).....
54487	24420	Face Plate Thread Guard.....
54493	-----	Needle Bar complete, Nos. 64319 and 128215.....
	Note:	When ordering No. 54493 state gauge required.
54969	20695	Arm Rock Shaft Oil Pad (braided cotton) for oiling Intermediate Bearing.....
54988	24423	Tension (upper thread) Releasing Pin (3).....
56864	20691	Chain Hook (large) for 6439 and 37563
56865	20691	" " (small) for 6439 and 37563
57234	24421	Feed Rocking Frame Hinge Pin.....
57235	24421	" " " " Bushing (2).....
59343	24421	Feed Bar Hinge Pin Collar with 735AL, for 131945.....
59537	24423	Tension (under thread) Spring Bushing (large) (3).....
59537	24423	Tension (upper thread) Spring Bushing (large) (3).....
59538	24423	Tension (under thread) Spring Bushing (small) (3).....
59538	24423	Tension (upper thread) Spring Bushing (small) (3).....
59539	-----	Tension (under thread) Screw Stud 50326C with 51570C (3).....
59539	-----	Tension (upper thread) Screw Stud 50326C with 51570C (3).....
60220	-----	Bench Stand Flap Hook and Eye (small) with wood screw 5/8 in. No. 4, for 135115.....
60656	20691	Bench Stand Hinge for 79772 (4).....
64319	24420	Needle Bar (hollow) for 54493.....
64320	24420	" " Bushing (upper).....
68002	24423	Tension (upper thread) Bracket.....
68003	24423	" " " Releasing Shaft.....
68006	24423	Thread (upper) Eyelet.....
68008	24423	" " Take-up Plate for 131337.....
68123	24437	Needle Guard (movable) Clamp.....
68164	24423	Thread (upper) Take-up Plate Spring for 131337.....
68184	24423	Presser Bar Lifting Lever Extension..
68222	20633	Belt Guard with two wood screws 1 in. No. 12.....
68231	24423	Tension (upper thread) Releasing Shaft Spring.....
68350	20695	Arm Oil Cup, for oiling Arm Rock Shaft Front Bearing.....
68368	24433	Cloth Plate Slide (left) for 131051..
68428	20688	Arm Bottom Cover.....



No.	Plate	Name
68429	20688	Arm Bottom Cover Gasket (cork).....
68433	20695	" Rock Shaft Bushing (back).....
68435	20695	" " " " " Cap....
68436	20695	" " " " (intermediate)
68448	20688	" Side Cover Gasket.....
68461	24420	Face Plate (lower half) Gasket (cork)
68467	24421	Feed Bar Wearing Plate for 131942....
68478	24436	Looper Carrier Connection Shaft Sleeve (eccentric).....
68479	24436	Looper Carrier Driver with four 175E, for 131870.....
*68483	-----	Looper Driving Shaft and Feed Lifting Eccentric Bracket with 761E.....
68485	24436	Looper Throw-out Handle with two 443AL.....
68486	24436	Looper Throw-out Handle Plunger.....
68488	24420	Needle Bar Connecting Link and Thread (upper) Controller for 131399....
68489	24420	Needle Bar Connecting Link Hinge Stud (hollow) for 131399.....
68492	20703	Oil Pipe (back of arm) with 68497,.. for oiling Feed Rocking Frame Hinge Pin Front Bearing.....
68493	20703	Oil Pipe (back of arm) Clamp.....
68494	20703	" " " " " Connection with 68495 and two 198E, for oil- ing Feed Rocking Frame Hinge Pin Back Bearing.....
68495	24421	Feed Bar Slide Block Oil Pad (wick) for 131944.....
68495	20703	Oil Pipe (back of arm) Connection Oil Pad (wick) for 68494.....
68496	20703	Oil Pipe (back of arm) Coupling.....
68497	24435	Feed Connecting Rod Oil Pad (wick) for 131500.....
68497	-----	Looper Driving Shaft and Feed Lifting Eccentric Front Bearing Oil Pad (wick).....
68497	20703	Oil Pipe (back of arm) Oil Pad (wick) for 68492.....
68497	20703	Oil Pipe (front of arm) Oil Pad (wick) for 131112 and 131113 (2).
68498	20703	Oil Pipe (front of arm) with 131089 and two 1733, for oiling Looper Driving Shaft and Feed Lifting Eccentric Front Bearing, for 131258.....
68500	20703	Oil Pipe (front of arm) with 1733, 131084 and 131089, for oiling Arm Rotary Shaft Front Bearing, for 131258.....
69353	24410	Machine Base Bolt complete, to fasten base to table, for 131919, Nos. 51428R and 126150 (4).....

No.	Plate	Name
79772	-----	Bench Stand with 27998, two each 41538, 126849, three wood screws 1 1/4 in. No. 12, four each 60656, wood screws 1 1/4 in. No. 10, eight wood screws 5/8 in. No. 6 and sixteen wood screws 5/8 in. No. 7, for Machine Base No. 131264 when Machine is mounted on top of table.....
120341	20691	Tweezers (curved) Accessories.....
120344	20691	Oiler (copper plated) with 120345 (Accessories).....
120345	20691	Oiler Spout, 4 1/2 in. long, for 120344.....
120440	20691	Screw Driver (large) Accessories....
121108	20691	" " (small) Accessories.....
121440	24438	Lap Seam Feller (adjustable) on Shank, for medium heavy and heavy weight material.....
126150	24410	Machine Base Bolt Nut Lock Washer for 69353 (4).....
126247	20691	Bench Stand Flush Bolt for 41538 (2).
126248	20691	" " " " Plate for 41538 (2).....
126249	20633	Foot Lifter Treadle for 150452.....
126250	20633	" " " Spring for 150452
126849	20691	Bench Stand Flap Hinge with four wood screws 3/4 in. No. 7 for 79772 (2).....
126849	20691	Bench Stand Flap Hinge with four wood screws 5/8 in. No. 7 F.H., for 135115 (4).....
127838	20695	Arm Rock Shaft Crank (front) Pin for 131474.....
128215	24420	Needle Clamp with three 1498AL, for 54493.....
128390	24437	Presser Foot Plate Hinge Stud for 131701 (2).....
128419	24436	Looper Carrier Connection Shaft Oil Pad (braided cotton).....
131002	20703	Oil Pipe (front of arm) Connection with two 198E, for oiling Looper Throw-out Device.....
131003	20703	Oil Pipe (front of arm) Connection with two 198E, for 131112 and 131113 (2).....
131004	20703	Oil Pipe (front of arm) Coupling (center).....
131004	20703	Oil Pipe (front of arm) Coupling (left).....
131011	24423	Tension (upper thread) Releasing Shaft Spring Position Plate.....
131022	24409	Machine Base Screw Stud Bushing (rub- ber) for 131446 (4).....
131025	24423	Slack Thread Controller.....

No.	Plate	Name
131028	24436	Looper Driving Shaft and Feed Lifting Eccentric Bushing Oil Plug.....
131050	24433	Cloth Plate Slide (left) Spring for 131051.....
131051	24433	Cloth Plate Slide (left) complete, for 131467, Nos. 68368, 131050 and two 725J.....
131052	24436	Looper Holder with 452C and 1120AL...
131056	20695	Arm Rock Shaft Adjusting Screw Washer
131072	24435	" " " Crank, back (ball bearing solid) with two 50083AL, for 131930.....
131084	20703	Oil Pipe (front of arm) Connection with two 198E, for 68500.....
131087	20703	Oil Pipe (front of arm) Coupling (right) with Oil Lead.....
131089	20703	Oil Pipe (front of arm) Oil Pad (wick) for 68498 and 68500 (2)...
131095	20695	Arm Rock Shaft Bushing (back) Cap Washer (fibre).....
131112	20703	Oil Pipe (front of arm) with 68497 and 131003, for oiling Feed Bar Slide Block, for 131258.....
131113	20703	Oil Pipe (front of arm) with 68497 and 131003 for oiling Feed Connecting Rod, for 131258.....
131139	24420	Face Plate (lower half).....
131144	24437	Needle Guard (movable) for 9/64 in. gauge.....
131145	24437	Needle Guard (movable) for 5/32 in. to 3/16 in. gauges.....
	Note:	When ordering No. 131144 or 131145 state gauge required.
131146	24423	Tension (under thread) Bracket.....
131188	24409	Machine Base Oil Drain Jar Clamp for 131217.....
131189	24409	Machine Base Oil Drain Jar Clamp Lever for 131217.....
131197	24421	Feed Bar Hinge Pin Eccentric for 131945.....
131204	24424	Thread (under) Take-up Thread Guide (left) Thread Retainer for 131430
131204	24424	Thread (under) Take-up Thread Guide (right) Thread Retainer for 131430.....
131205	24409	Machine Base Screw Stud, to position machine on base, for 131264 and 131919 (4).....
131217	-----	Machine Base Oil Drain Jar Clamp 131188 with 131189, for 131268...
131240	24421	Feed Rocking Frame with two 453AL, for 131945.....
131258	-----	Oil Pipe (front of arm) complete, Nos. 68498, 68500, 131112 and 131113.....

No.	Plate	Name
131263	24409	Machine Base for 131264.....
131264	24409	Machine Base complete, for 131328, Nos. 131263, three each 9842, 51576E, 54477 and four each 131205 and 131279.....
131265	24409	Machine Base Oil Drain Jar Nipple (long) for 131268 (2).....
131266	24409	Machine Base Oil Drain Jar Nipple (short) for 131268.....
131267	24409	Machine Base Oil Drain Jar Nipple Elbow for 131268 (2).....
131268	24409	Machine Base Oil Drain Jar (swinging type) complete, for 131328 and 131920, Nos. 131217, 131266, 131961, 131962 and two each 1247AL, 131265 and 131267.....
131270	24420	Needle Bar Connecting Link Hinge Stud Oil Pad (wick).....
131276	20688	Arm Side Cover (oil vent) for 131911.
131279	24409	Machine Cushion (felt) for 131264 and 131919 (4).....
131280	20688	Arm Side Cover Cap Position Pin for 131911.....
131291	24420	Needle Bar Bushing (lower).....
131292	24420	Presser Bar Bushing (lower).....
131293	20695	Arm Rock Shaft for 131474.....
131319	20695	" Oil Cup Oil Pad (braided cotton) for 68350.....
131323	24437	Looper (back) closed eye.....
	Note:	When ordering No. 131323 state gauge required.
131324	24437	Looper (front) closed eye for 131326.
	Note:	When ordering No. 131324 state gauge required.
131325	24437	Looper (intermediate) closed eye for 131326.....
131326	24437	Looper (intermediate) 131325 with 1302J, 51011J and 131324.....
131328	24409	Machine Base and Oil Drain Jar (swinging type) complete, for use when Machine is mounted on top of table, for use with Bench Stand No. 79772, Nos. 131264 and 131268
131336	24423	Thread (upper) Take-up for 131337...
131337	-----	Thread (upper) Take-up complete, Nos. 1449J, 68008, 68164 and 131336...
131366	24435	Arm Rotary Shaft Ball Bearing (back) for 131526 (2).....
131366	24435	Arm Rotary Shaft Ball Bearing (intermediate).....
131369	24435	Arm Rotary Shaft Ball Bearing (back) Case Cap for 131479.....
131370	24435	Arm Rotary Shaft Ball Bearing (back) Case Position Stud (3).....

No.	Plate	Name
131379	24433	Cloth Plate Slide (right), 9/64 in. Throat Plate clearance cut, for 131386.....
131381	24433	Cloth Plate Slide (right) Spring for 131386.....
131386	24433	Cloth Plate Slide (right) complete, 9/64 in. Throat Plate clearance cut for 131467, Nos. 131379, 131381 and two 725J.....
131395	24420	Face Plate (upper half).....
131399	-----	Needle Bar Connecting Link and Thread (upper) Controller 68488 with 68489 and 131400.....
131400	-----	Needle Bar Connecting Stud with 211F and 1492E, for 131399.....
131401	24420	Presser Bar Lifting Bracket with 453AL.....
131402	24423	Presser Bar Lifting Lever.....
131404	24424	Slack Thread Regulator Holder.....
131405	24424	" " " " Crank with 171AL.....
131406	24424	Slack Thread Regulator Holder Crank Connecting Link.....
131407	24435	Thread (under) Take-up with 1258AL...
131408	24424	" " " Oil Guard for 131936.....
131411	24424	Thread (under) Take-up Stripper Plate Bracket for 131936.....
131413	24424	Thread (under) Take-up Thread Guard (fibre) for 131936.....
131421	24424	Thread (under) Take-up Thread Guide (intermediate, left) for 131936..
131422	24424	Thread (under) Take-up Thread Guide (intermediate, right) for 131936.
131427	24424	Slack Thread Regulator.....
131429	24424	Thread (under) Take-up Thread Guide (left) for 131430.....
131429	24424	Thread (under) Take-up Thread Guide (right) for 131430.....
131430	-----	Thread (under) Take-up Thread Guide (left) 131429 with 236C and 131204, for 131936.....
131430	-----	Thread (under) Take-up Thread Guide (right) 131429 with 236C and 131204, for 131936.....
*131446	-----	Arm, upper and lower (solid) with 948J, 15404, 68483, two 131676 and four 131022.....
131456	20695	Arm Rock Shaft Flanged Bushing (front).....
131457	24435	Arm Rotary Shaft Bushing (front)....
131466	24433	Cloth Plate for 131467.....
131467	-----	Cloth Plate complete, for Throat Plate, with 9/64 in. offset, Nos. 131051, 131386 and 131466.....

No.	Plate	Name
131474	-----	Arm Rock Shaft 131293 with 1235F, 127838 and 131475.....
131475	20695	Arm Rock Shaft Crank (front) with 853AL, for 131474.....
131478	24435	Arm Rotary Shaft Ball Bearing (back) Case for 131479.....
131479	-----	Arm Rotary Shaft Ball Bearing (back) Case 131478 with 131369 and three 205C, for 131526.....
131480	24435	Arm Rotary Shaft Ball Bearing (back) Spacing Collar for 131526.....
131481	24435	Arm Rotary Shaft Ball Bearing (intermediate) Case.....
131482	24435	Arm Rotary Shaft Ball Bearing (intermediate) Collar with two 457AL...
131487	24435	Arm Rotary Shaft for 131510.....
131500	24435	Feed Connecting Rod with 1057AL, 68497, 134260 and two 896AL for 131502.....
131502	-----	Feed Connecting Rod 131500 with 54025, for 131510.....
131510	-----	Arm Rotary Shaft 131487 with 640E, 131502, 131870 and 131930.....
131526	-----	Arm Rotary Shaft Ball Bearing (back) Case with Ball Bearings complete, Nos. 131479, 131480 and two 131366.....
131581	24423	Thread (under) Eyelet (back).....
131610	24433	Cloth Plate Thread Guard.....
131662	24437	Feed Dog, 19 teeth (10 teeth to the inch) for 9/64 in. to 3/16 in. gauges, for use with 131844.....
		Note: When ordering No. 131662 state gauge required.
131676	-----	Trade Mark Rivet for 131446 (2).....
131696	24423	Tension (under thread) Thread Guide (3).....
131696	24423	Tension (upper thread) Thread Guide (3).....
131697	24437	Presser Foot Plate for 131701.....
131698	24437	" " Shank for 131701.....
131699	-----	" " Yielding Heel for 131701
131700	24437	" " " Connection for 131701.....
131701	24437	Presser Foot (triple hinged) complete, for 9/64 in. to 3/16 in. gauges, Nos. 27114, 131697 to 131700 and two each 662J, 18055 and 128390.....
131730	24421	Feed Bar Feed Dog Seat (adjustable) with 460AL, for 131942.....
131740	24423	Tension (under thread) Spring (3)....
131741	24423	Tension (upper thread) Spring (3)....
131749	20688	Presser Bar Spring for 131830 and 131851.....

No.	Plate	Name
131750	20688	Presser Bar Spring (auxiliary) for 131830.....
131751	20688	Presser Bar Spring Screw Stud for 131830 and 131851.....
131752	20688	Pressure Regulating Thumb Nut Washer for 131830.....
131824	24424	Thread (under) Take-up Stripper for 131936.....
131825	24424	Thread (under) Take-up Stripper Plate for 131936.....
131830	20688	Presser Bar Spring complete, Nos. 1637J, 51697W and 131749 to 131752.....
131844	24437	Throat Plate, for 9/64 in. to 3/16 in. gauges, for use with 131662 Note: When ordering No. 131844 state gauge required.
131851	20688	Presser Bar Spring (less auxiliary spring) complete, Nos. 1637J, 42290K, 51697W, 131749 and 131751
131864	24435	Arm Oil Cup for 131866.....
131865	24435	" " " Oil Gauge for 131866.....
131866	24435	Arm Oil Cup with Oil Gauge complete, for filling oil reservoir, Nos. 131864 and 131865.....
*131870	-----	Looper Driving Shaft and Feed Lifting Eccentric 131960 with 54027, 54227, 54228 and 68479, for 131510.....
131909	20688	Arm Side Cover Cap for 131911.....
131910	20688	" " " " Spring for 131911.....
131911	20688	Arm Side Cover (oil vent) complete, Nos. 1289X, 131276, 131280, 131909 and 131910.....
131912	24420	Presser Bar (hollow).....
131913	24435	Balance Wheel, 2 in. pulley, with two 51283AL, for round belt.....
131914	-----	Balance Wheel (outside diam. of belt groove 2.9 in.) with two 51283AL, for "V" belt.....
131918	24410	Machine Base for 131919.....
131919	24410	Machine Base complete, for 131920, Nos. 131918 and four each 69353, 131205 and 131279.....
131920	24410	Machine Base and Oil Drain Jar (swinging type) complete, for use when Machine is mounted semi-submerged, for use with Bench Stand No. 135115, Nos. 131268 and 131919.....

No.	Plate	Name
*131926	24435	Crank Connecting Rod with two each 1057AL, 51715AL, 131927 and 131928, for 131930.....
		Note: When No. 131926 is required for repairs Connecting Rod and Arm Rock Shaft Crank (back) fitted together will be furnished. All Agency orders for this part must state the Machine number for which it is required, in order to obtain correct Needle Bar stroke.
131927	24435	Crank Connecting Rod Cap (lower) Screw Stud for 131926 (2).....
131928	24435	Crank Connecting Rod Cap (lower) Screw Stud Nut Lock Washer for 131926 (2).....
131930	-----	Crank Connecting Rod 131926 with 131072 for 131510.....
131936	24424	Thread (under) Take-up Stripper Plate Bracket 131411 with 217J, 32062, 50438J, 54242, 131408, 131413, 131421, 131422, 131824, 131825, two each 207J, 7071, 50470J, 131430 and four 190J.....
131941	24421	Feed Bar for 131942.....
131942	-----	Feed Bar with Feed Dog Leveling Device complete, for 131945, Nos. 190E, 22436, 68467, 131730, 131941 and two 207E.....
131943	24421	Feed Bar Slide Block for 131944.....
131944	24421	" " " " 131943 with 68495 and 134260.....
131945	-----	Feed Rocking Frame 131240 with 59343, 131197 and 131942.....
131959	24436	Looper Driving Shaft and Feed Lifting Eccentric Bushing.....
131960	24436	Looper Driving Shaft and Feed Lifting Eccentric for 131870.....
131961	24409	Machine Base Oil Drain Jar (glass) for 131268.....
131962	24409	Machine Base Oil Drain Jar Cap for 131268.....
134260	24421	Feed Bar Slide Block Oil Pad Retainer for 131944.....
134260	24435	Feed Connecting Rod Oil Pad Retainer for 131500.....
135115	-----	Bench Stand with 27998, 60220 and four each 126849 with wood screws 5/8 in. No. 7 F.H. (in place of wood screws 3/4 in. No. 7 F.H.) and wood screws 1 1/2 in. No. 10 F.H., for use with Machine Base No. 131919 when machine is mounted semi-submerged.....
138306	-----	Feed Eccentric Lubricating Pad (wood) for 54024.....

No.	Plate	Name
159017	20688	Arm Hole Line Sewer Washer
1402190	20633	Knee Lifter Rock Shaft Stop Dog Set Screw for 2779
140275J	24437	Feed Dog Screw, when movable needle guard is used
150203	23109	Thread Unwinder Spool Rest Cushion (Felt) for 150657 (6)
150364	23109	Thread Unwinder Base with two 4370, for 150657
150366	23109	Thread Unwinder Thread Cone Holder for 150657 (6)
150367	23109	Thread Unwinder Thread Cone Holder Support for four cones for 150657
150368	23109	Thread Unwinder Thread Cone Steady Wire for 150657 (6)
150369	23109	Thread Unwinder Thread Guide, for four threads, for 150657
150451	20633	Foot Lifter Treadle Stand for 150452
150452	20633	Foot Lifter Treadle complete, Nos. 4879, 4882, 156249, 156250, 150451 and two wood screws 1 in. No. 16 F.H.
150647	23109	Thread Unwinder Spool Rest with 178J, for 150663 (6)
150649	23109	Thread Unwinder Spool Rest Rod, for four spool rests, for 150663
150653	23109	Thread Unwinder Rod for 150657
150654	23109	" " Thread Cone Holder Support, for two cones, for 150657
150655	23109	Thread Unwinder Thread Cone Holder Support Bracket for 150657, for use with 150654
150656	23109	Thread Unwinder Thread Guide, for two threads, for 150657
150657	23109	Thread Unwinder complete, for invert- ed cones, for six cones, Nos. 51082R, 51083R, 150364, 150367, 150369, 150653 to 150656, two 178J, three wood screws 1 1/2 in. No. 16 F.H. and six each 164J, 19020, 150366 and 150368
150658	23109	Thread Unwinder Spool Rest Rod, for two spool rests, for 150663
150663	23109	Thread Unwinder Spool Rest complete (for six spools) for use when spools are used in place of cones of thread, for use with Thread Unwinder No. 150657, Nos. 150649, 150658, two 178J and six each 150203 and 150647
164197	20691	Wrench for 51715 (not regularly fur- nished) Accessories

## ILLUSTRATIONS

OF

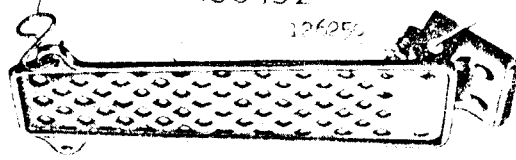
PARTS

From the Library of the University of Illinois at Urbana-Champaign

20633 - 1/4

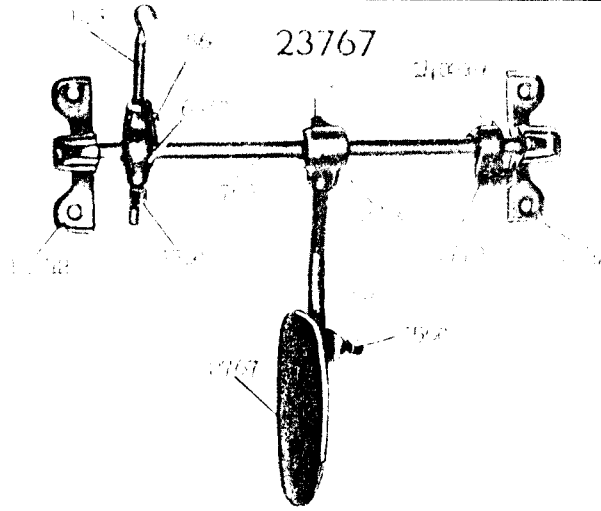
150452

126256

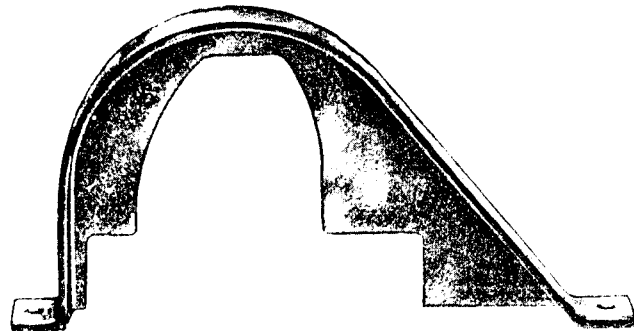


23767

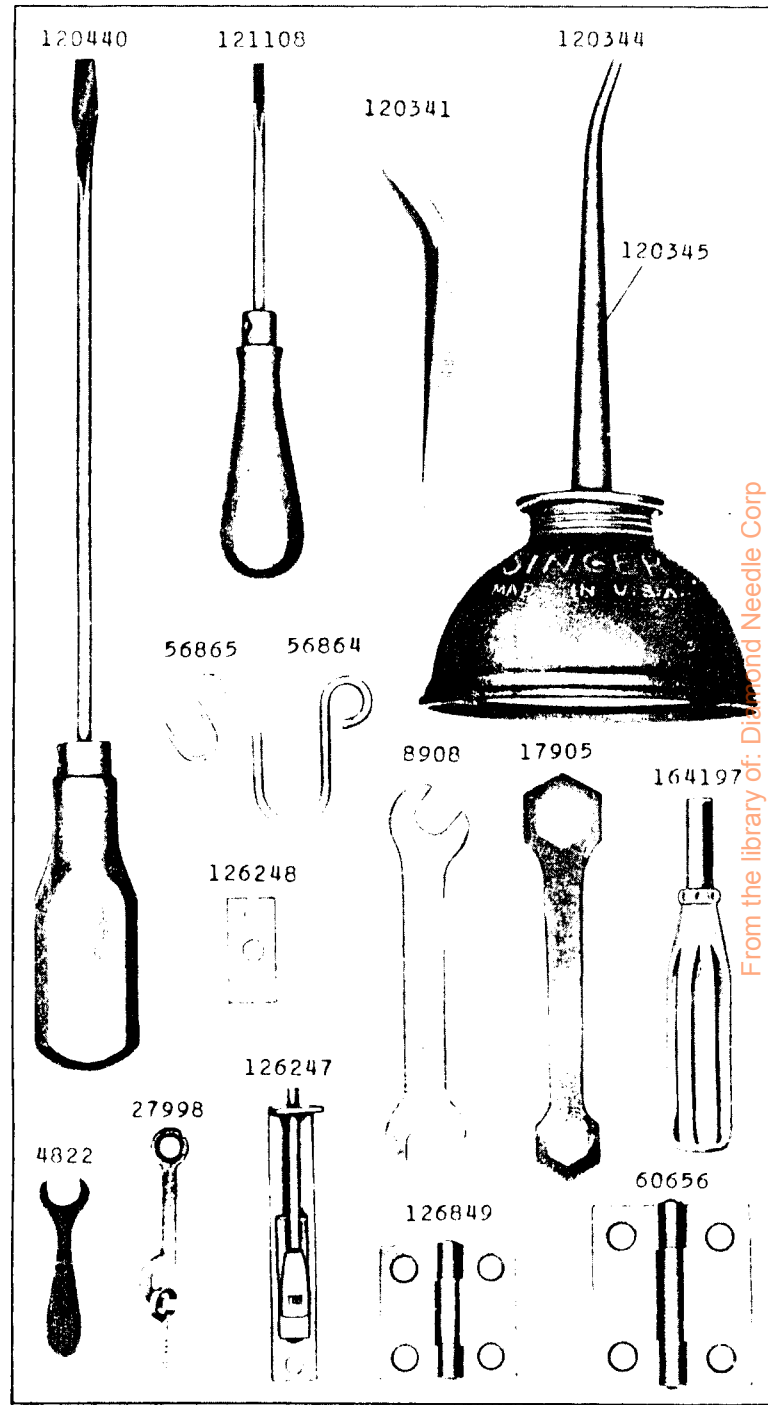
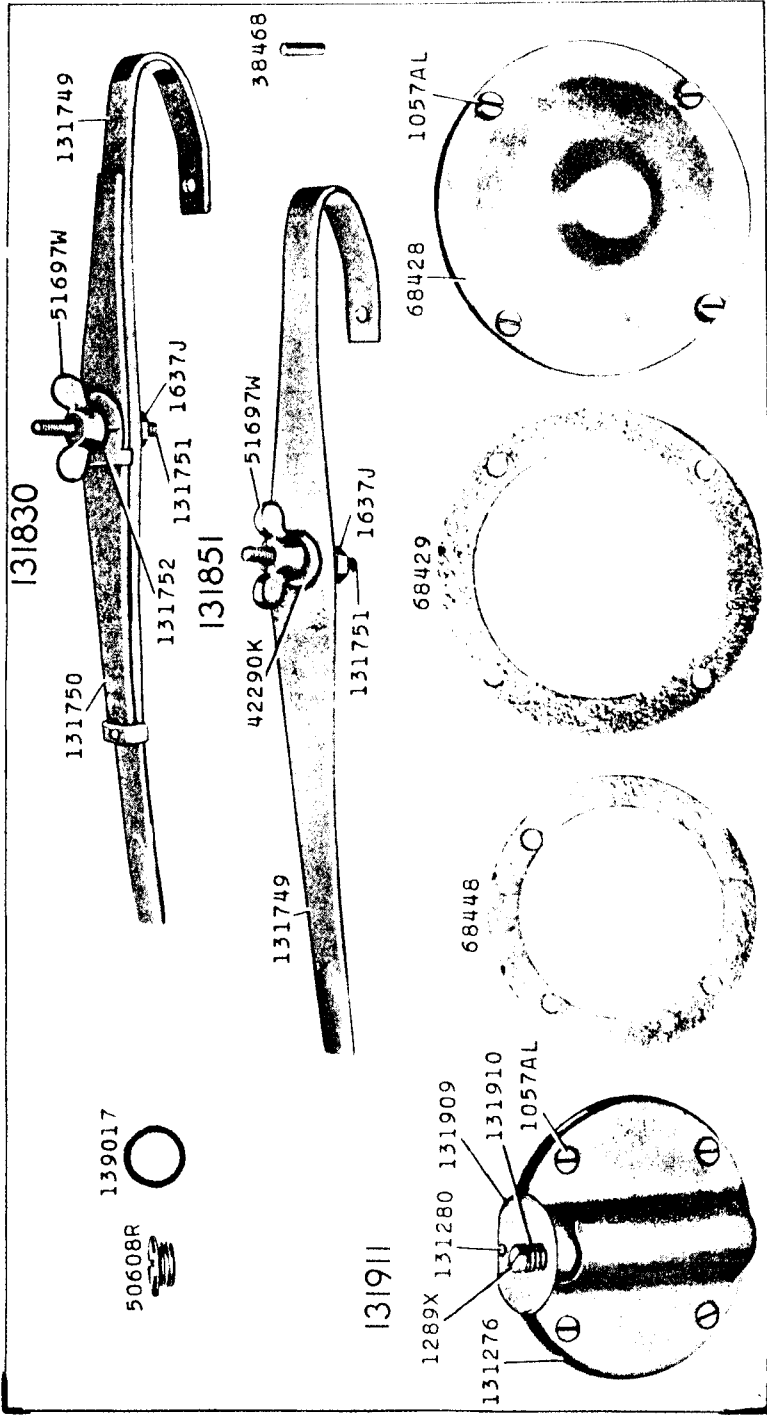
210037



15228



From the library of: Diamond Needle Corp



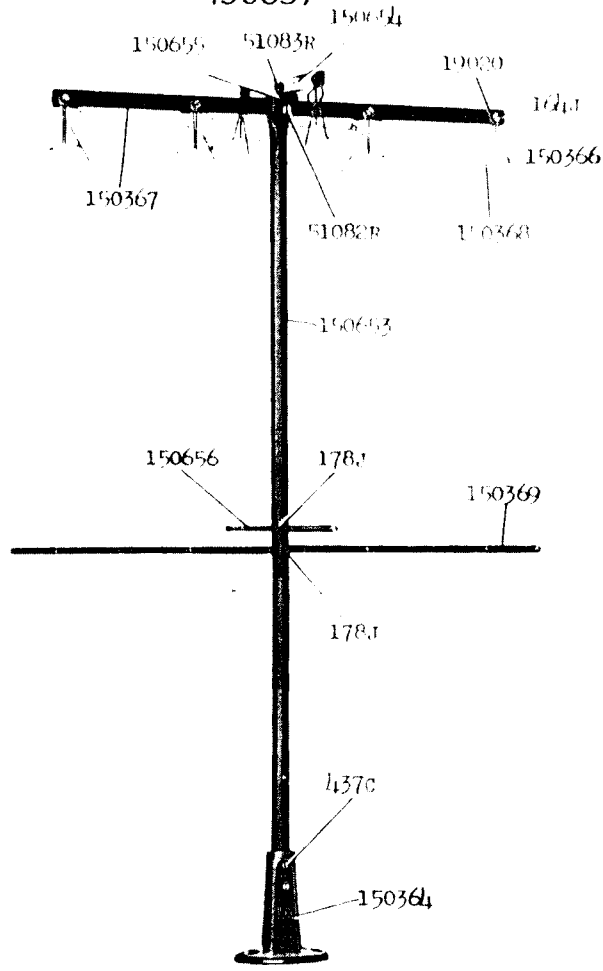
From the library of: Diamond Needle Corp



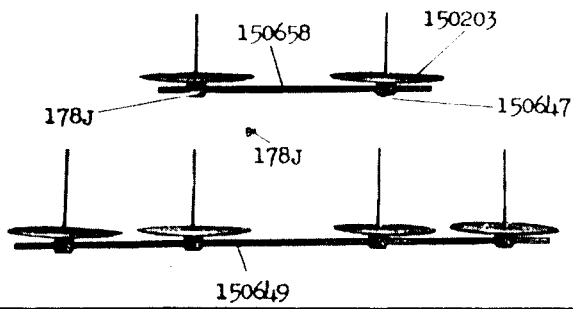


23109 - 1/6

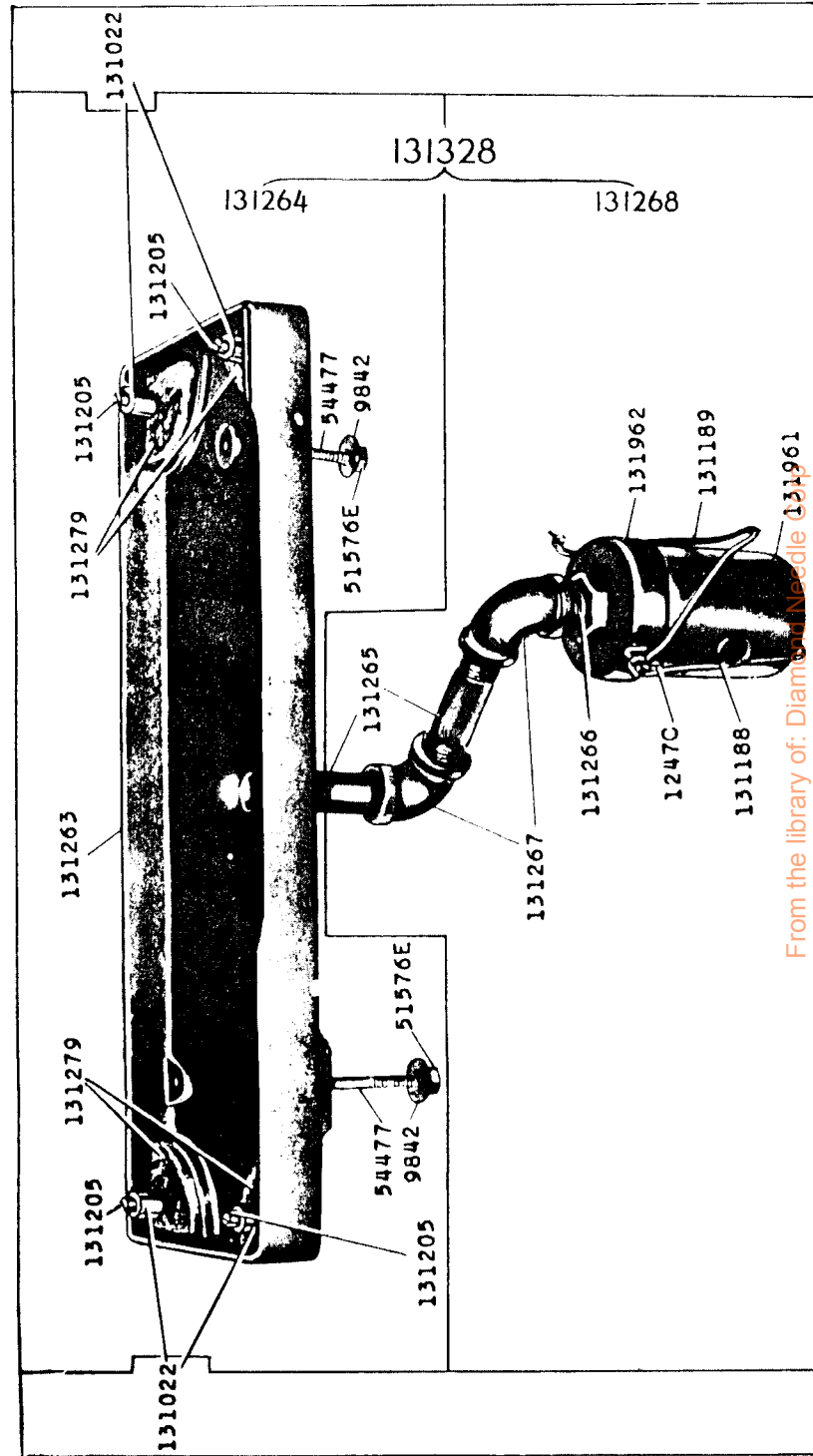
150657



150663

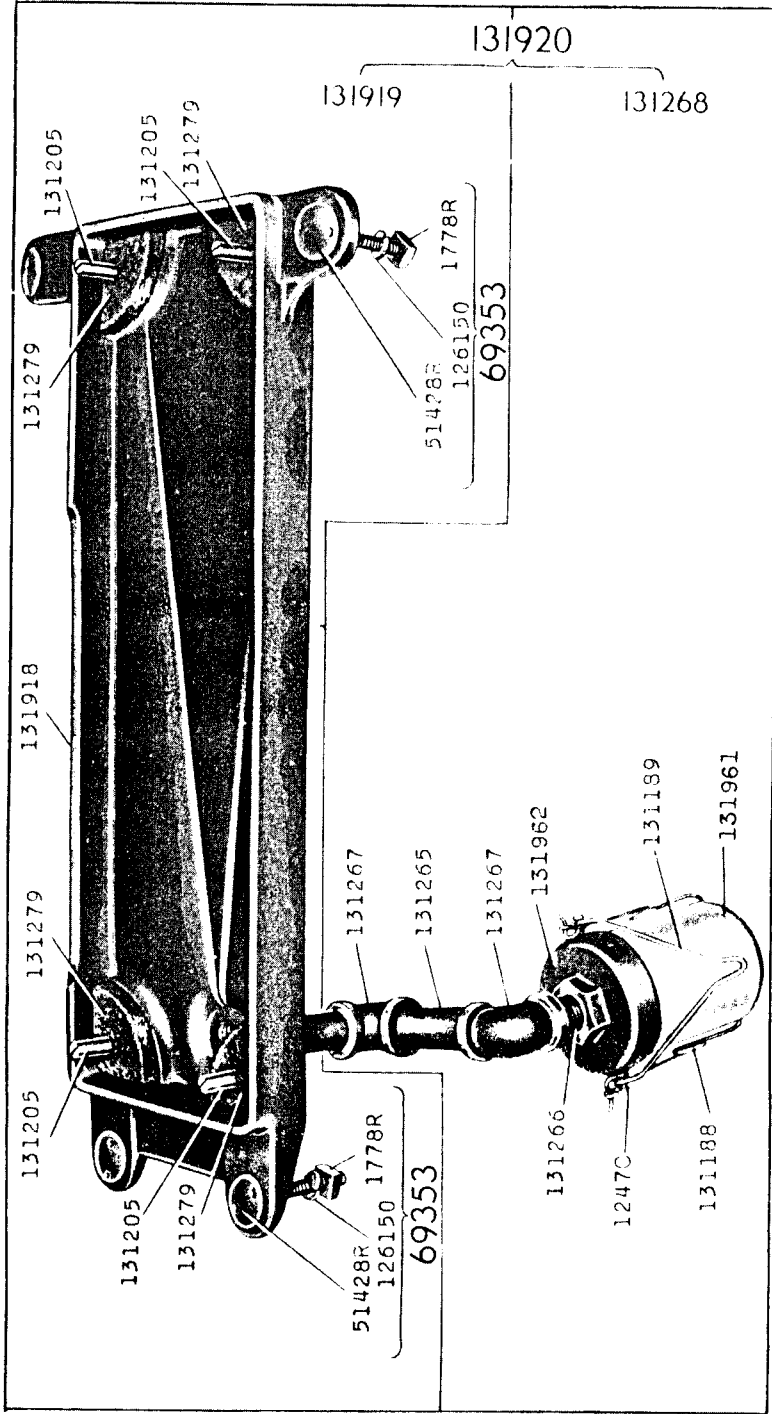


24409 - 1/4

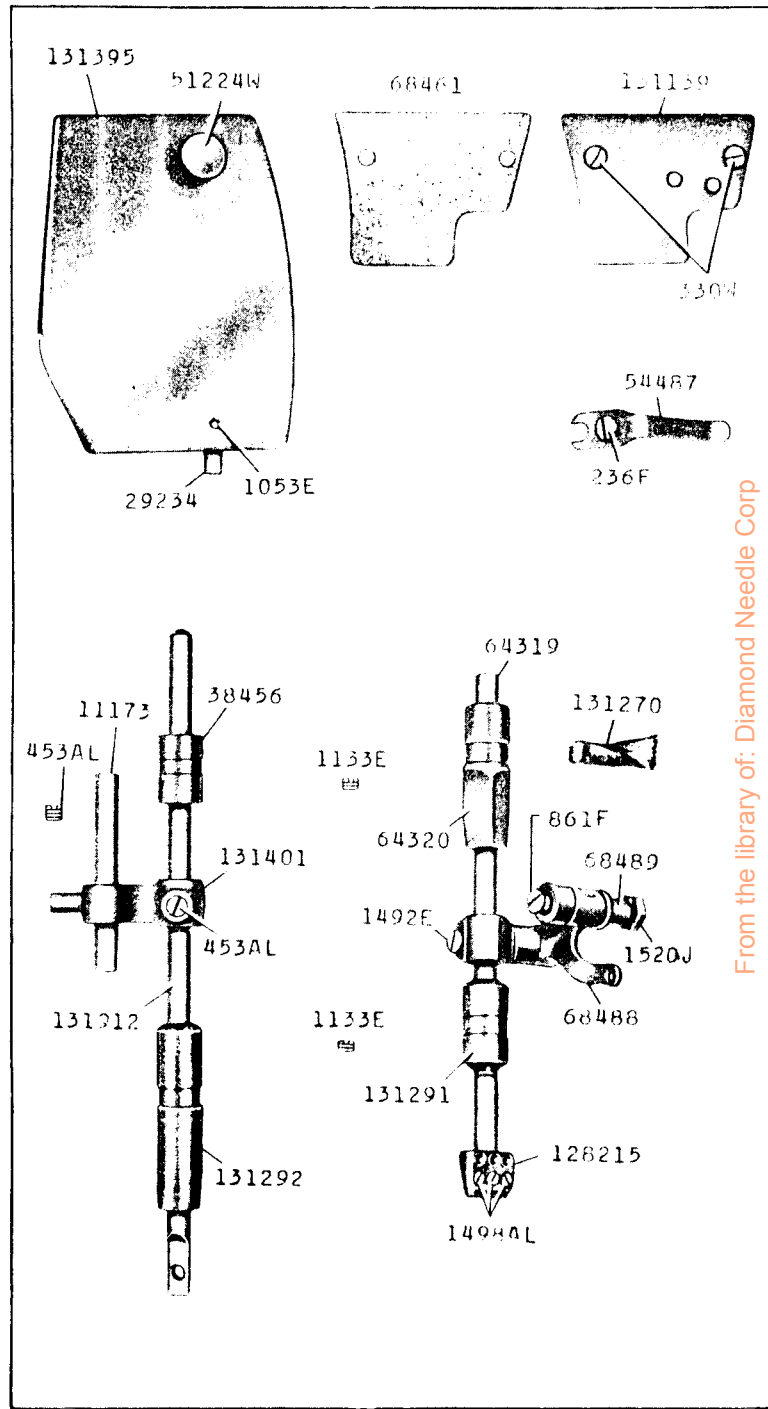


From the library of: Diamond Needle 131961

24410 - 1/4

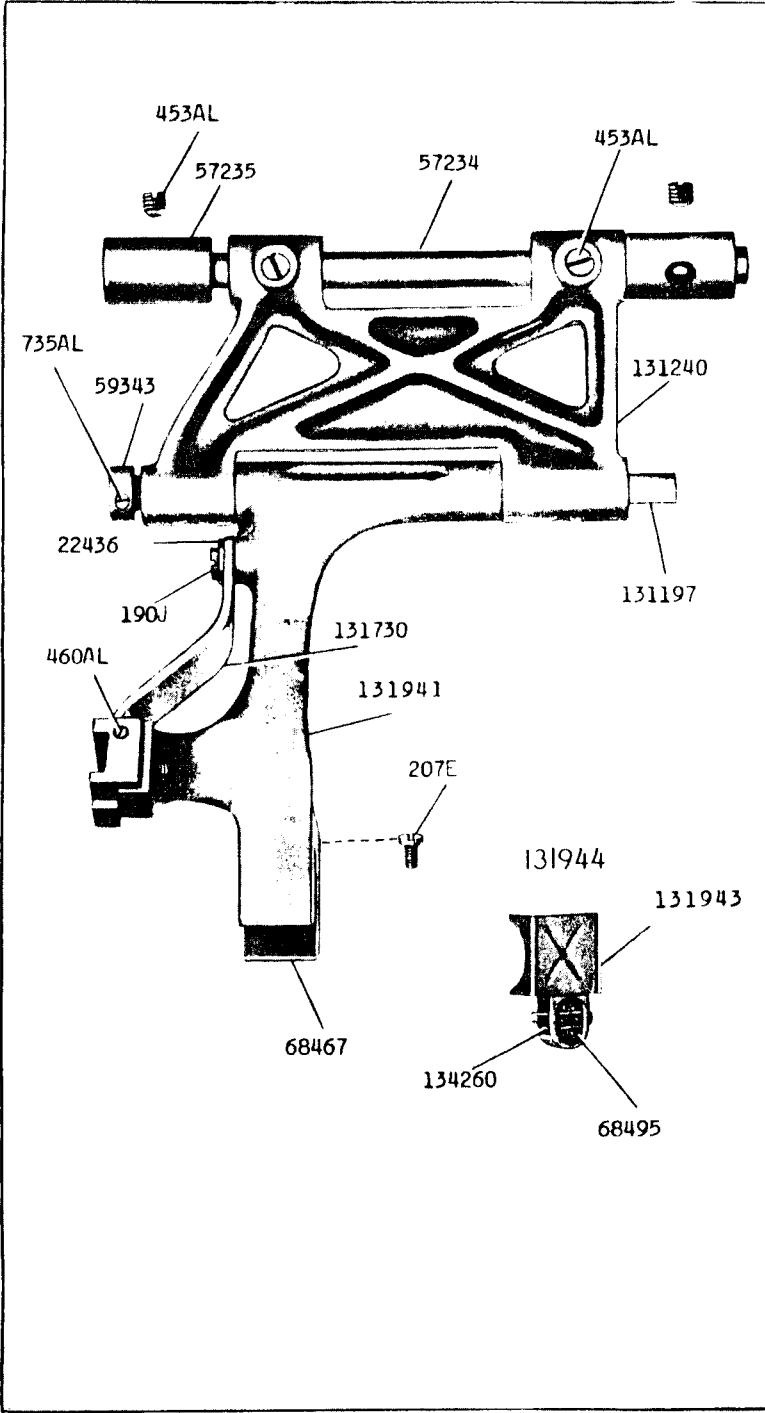


24420 - 1/2

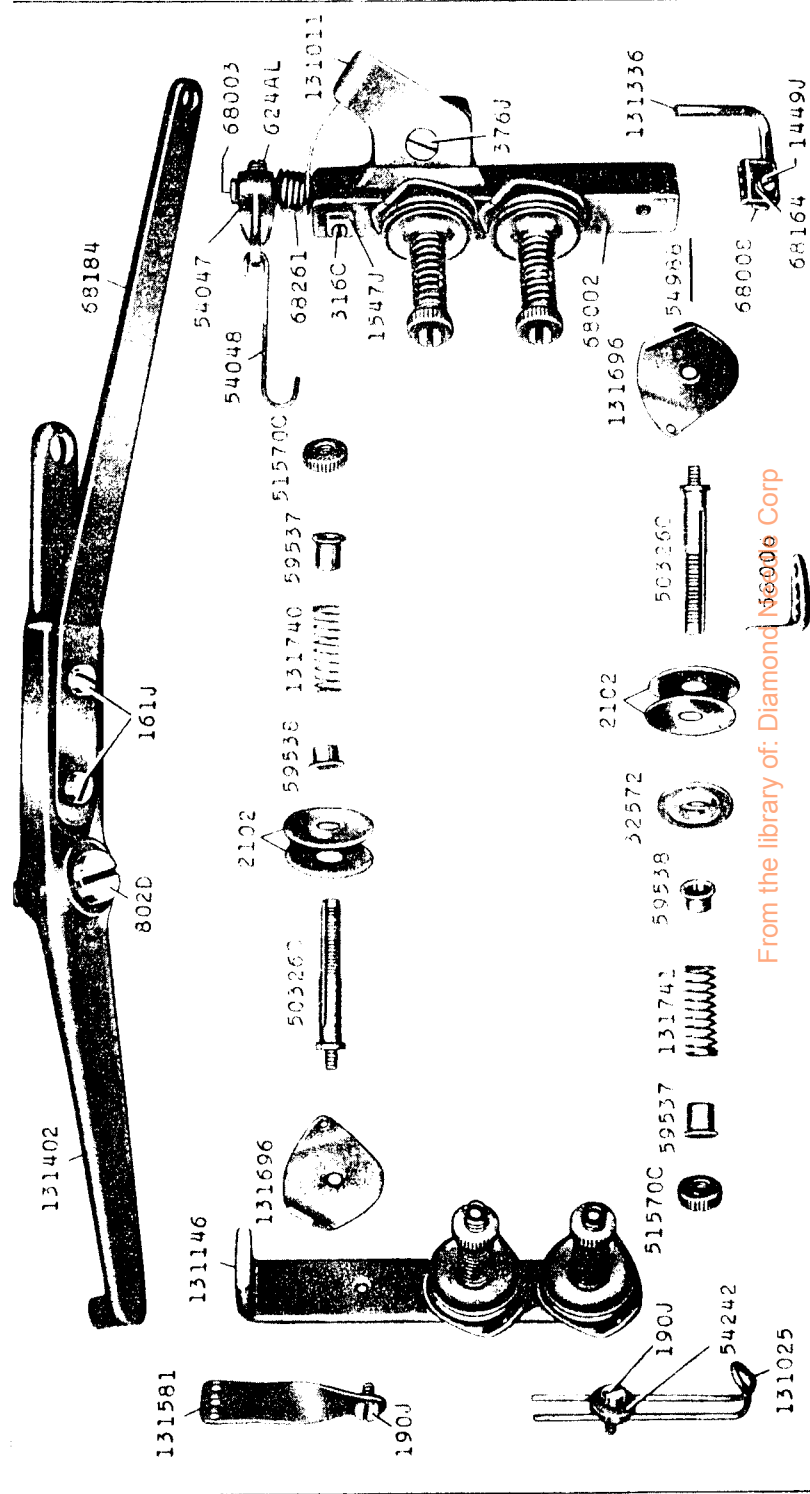


From the library of: Diamond Needle Corp

24421 - 1/2

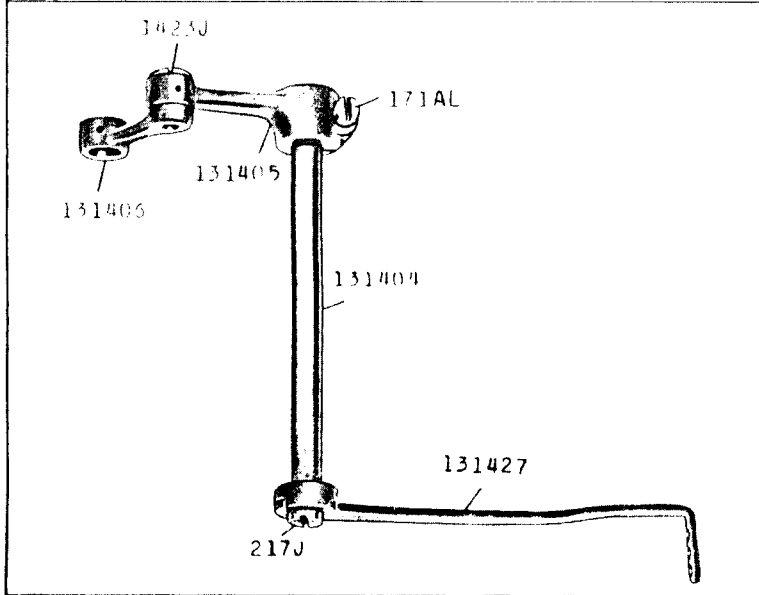
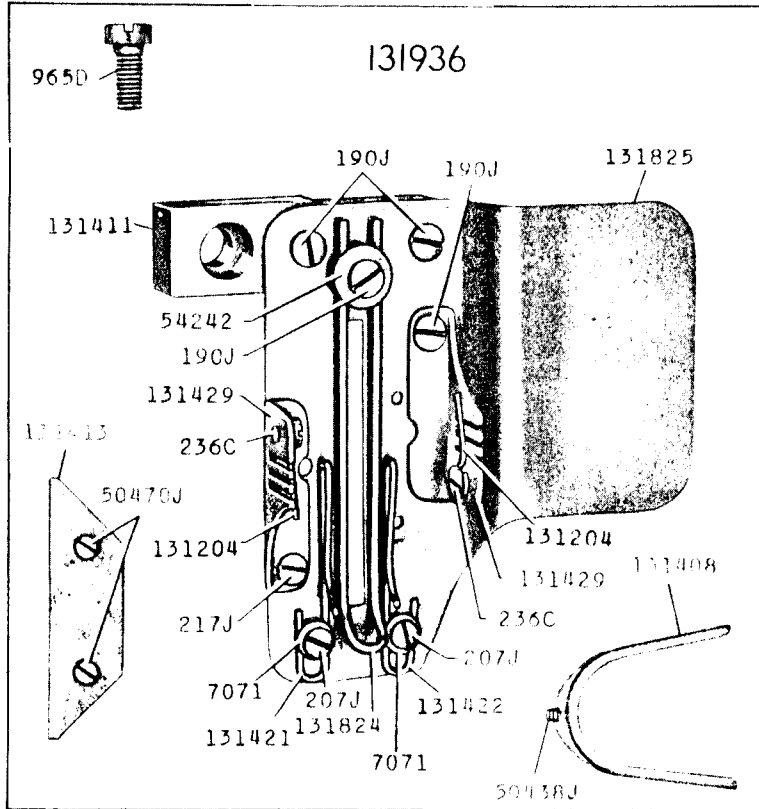


24423 - 1/2

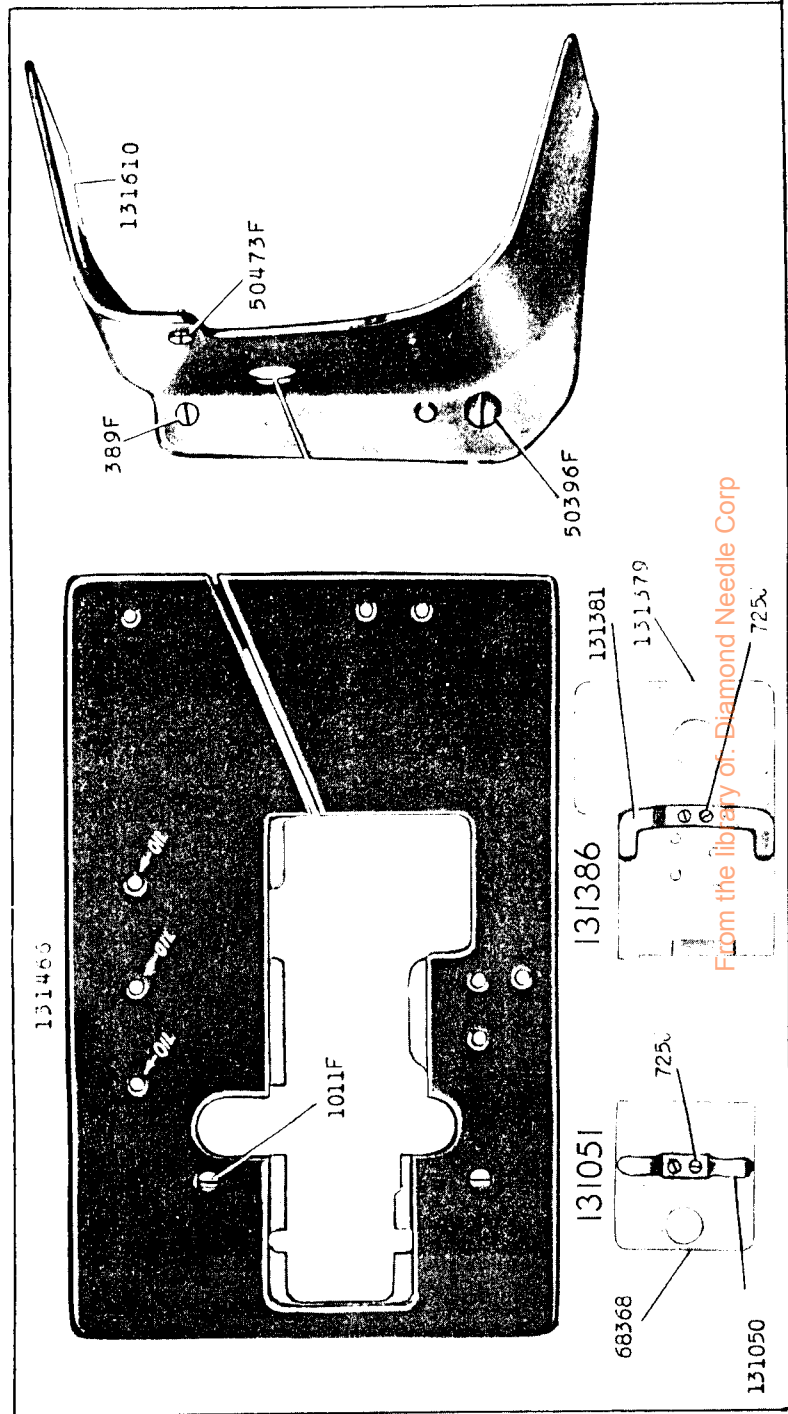


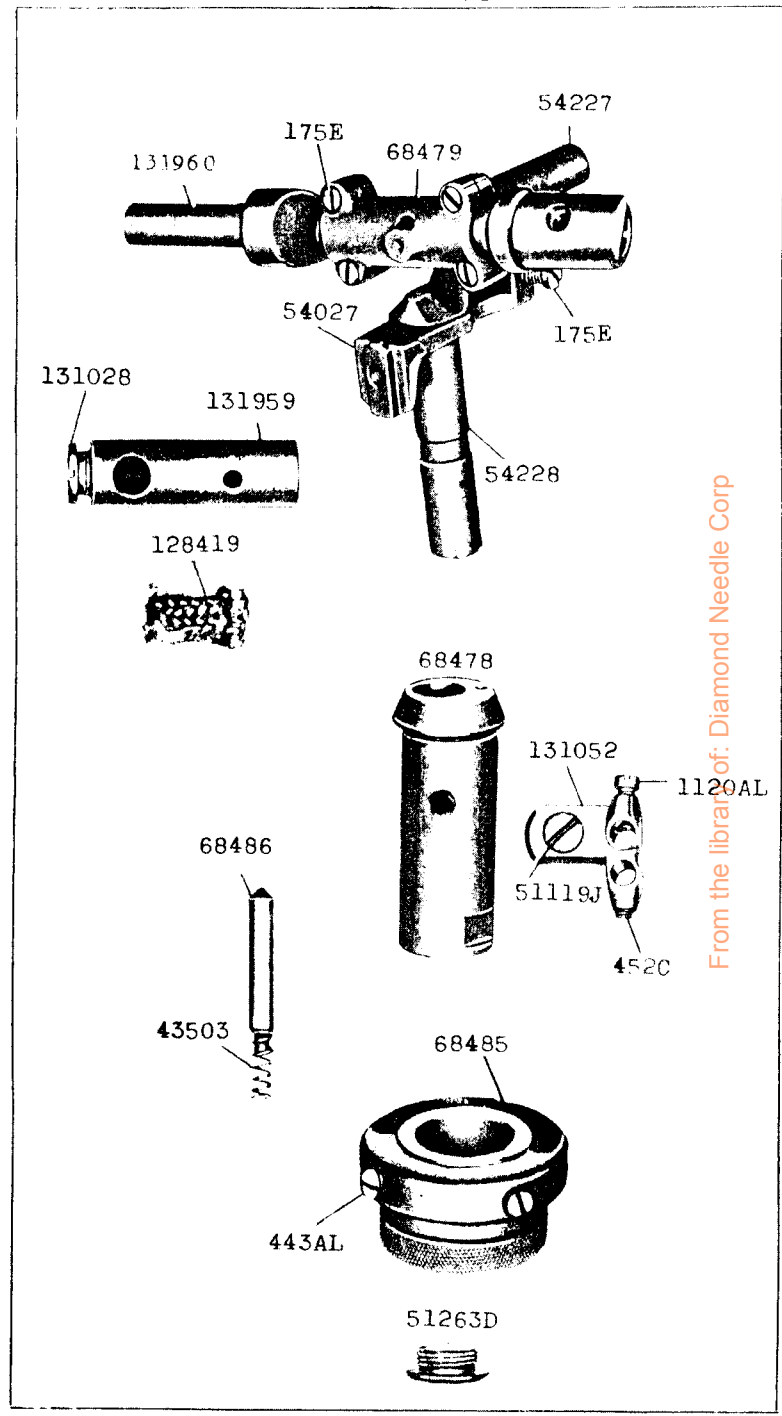
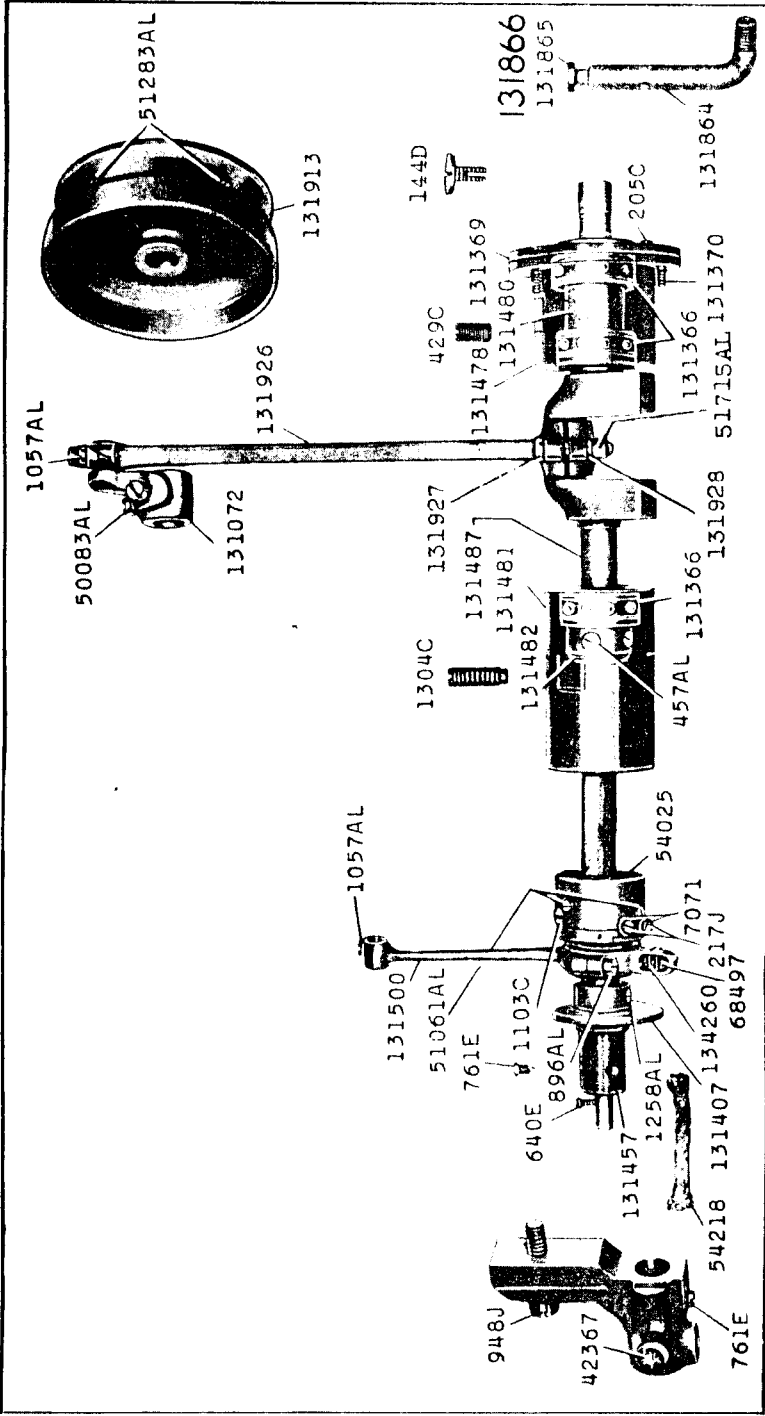
From the library of: Diamond Needle Corp

24424 - 2/3



24433 - 1/2





From the library of: Diamond Needle Corp

